

Caffini pumps

**SPARE PARTS LIST
LISTE PIECES DE RECHANGE
CATALOGO RICAMBI**

**SELF PRIMING DIAPHRAGM PUMP
POMPE AUTO-AMORÇANTE A MEMBRANE
POMPA AUTOADESCANTE A MEMBRANA**

LIBELLULA 1-4"



**CONTRACTOR AND INDUSTRIAL VERSION
VERSION CHANTIER ET INDUSTRIE
VERSIONE PER EDILIZIA E INDUSTRIA**

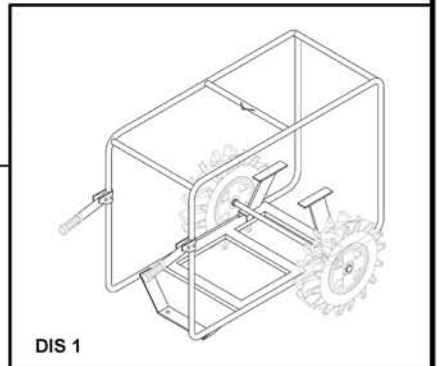
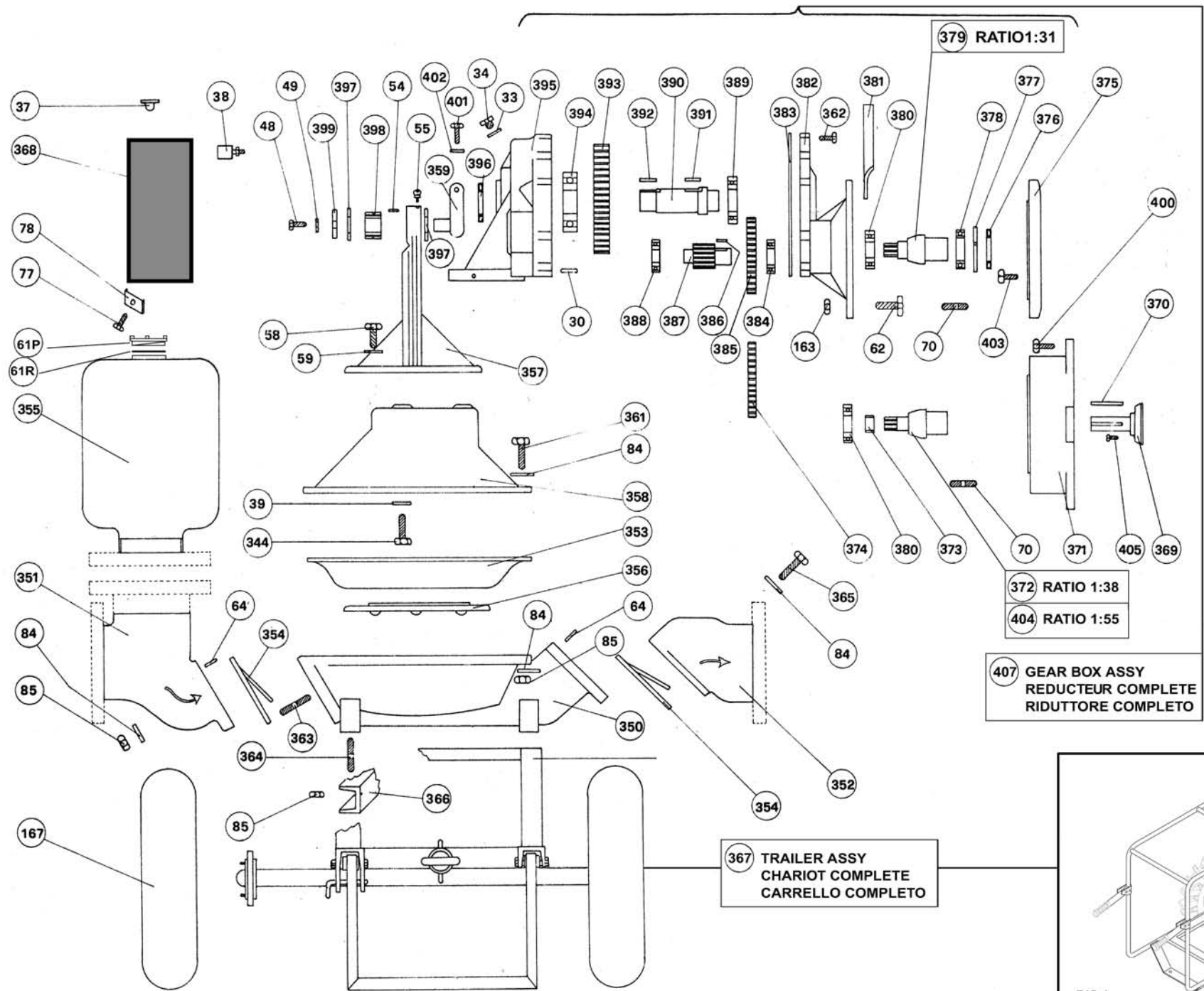


FIG	PART NUMBER	DENOMINAZIONE	DESCRIPTION	DESCRIPTION
30	030L06301	SPINA CENTRAGGIO RIDUTTORE	DOWEL PIN GEAR BOX	GOUPILLE
33	033L05332	RONDELLA PER TAPPO IMMERSIONE OLIO	WASHER FOR OIL FIELD PLUG	RONDELLE
34	034L0102	TAPPO IMMERSIONE OLIO	OIL FIELD PLUG	BOUCHON
37	037L70376	TAPPO PER PROTEZIONE IN PLASTICA	PLUG FOR PLASTIC PROTECTION	BOUCHON
38	038L33381	VALVOLA SFATATOIO	AIR DISCHARGE VALVE	CLAPET D'AIR
39	039L05393	RONDELLA	WASHER	RONDELLE
48	048L01484	BULLONE T.E.FISSAGGIO COPERCHIO BIELLA	BOLT CLAMPING COVER	BOULON
49	049L05495	RONDELLA PER BULLONE	WASHER FOR BOLT	RONDELLE
54	054L06542	SPINA FISSAGGIO TESTA BIELLA	DOWEL PIN WASHER	GOUPILLE
55	055L33552	INGRASSATORE	GREASE NIPPLE	GRASSEUR
58	058L01586	BULLONE FISSAGGIO MEMBRANA	BOLT FASTENING DIAPHRAGM	BOULON
59	059L05597	RONDELLA PER BULLONE	WASHER FOR BOLT	RONDELLE
61R	061L43	RING PER TAPPO IN BRONZO	O RING FOR BRONZE PLUG	O RING POUR BRONZE BOUCHON
61P	061L44	TAPPO IN BRONZO 1"	1"BRONZE PLUG	BOUCHON 1"EN BRONZE
62	062L01627	BULLONE FISSAGGIO BOCCHE	BOLT FASTENING BRANCHES	BOULON
64	064L06643	SPINA FISSAGGIO BOCCHE	DOWEL PIN FOR BRANCHES	EPINE POUR ORIFICES
70	070L01708	PRIGIONIERO FISSAGGIO BASE A POMPA	STUD FASTENING PUMP CASE	GOUJON
77	077L01779	VITE FISSAGGIO PROTEZIONE	SCREW FASTENING PROTECTION	VIS
78	078L31782	PIASTRINA PER PROTEZIONE	PLATE FOR PROTECTION	PLAQUE POUR PROTECTION
84	084L05849	RONDELLA	WASHER	RONDELLE
85	085L07851	DADO	NUT	ECROU
163	163L71637	DADO	NUT	ECROU
167	167L271673	RUOTA PNEUMATICA PER CARRELLO	PNEUMATIC WHEEL FOR TRAILER	ROUE PNEUMATIQUE POUR CHARIOT
167	167L271674	RUOTA PNEUMATICA PER CARRELLO PROTETTIVO	PNEUMATIC WHEEL FOR WRAPAROUND	ROUE PNEUMATIQUE POUR CADRE DE PROTECTION
344	344L13441	BULLONE	BOLT	BOULON
350	350L11	CORPO POMPA ALLUMINIO	PUMP CASE ALUMINIUM	CORPE POMPE ALUMINIUM
350	350L12	CORPO POMPA ALLUMINIO ANTICORODAL	PUMP CASE ANTICORODAL	CORPE POMPE ANTICORODAL
350	350L13	CORPO POMPA GHISA	PUMP CASE CAST IRON	CORPE POMPE FONTE
350	350L14	CORPO POMPA ACCIAIO AISI 304	PUMP CASE SS AISI 304	CORPE POMPE AISI 304
350	350L15	CORPO POMPA ACCIAIO AISI 316	PUMP CASE SS AISI 316	CORPE POMPE AISI 316
350	350L16	CORPO POMPA ALL.RIVESTITO RILSAN	PUMP CASE RILSAN COATED	CORPE POMPE PLASTIFIE'RILSAN
350	350L18	CORPO POMPA RIVESTITO BLUE ARMOR	PUMP CASE BLU ARMOR COATED	CORPE POMPE REVETE'AVEC RESINE FLUOROORE'
351	351L11	BOCCA ASPIRAZIONE FIL. 4"BSP ALLUMINIO	SUCTION BRANCH THREAD 4"BSP ALUMINIUM	ORIFICE ASPIRATION FILETE'4"BSP ALUMINIUM
351	351L102	BOCCA ASPIRAZIONE FIL.4"BSP ANTICORODAL	SUCTION BRANCH THREAD 4"BSP ANTICORODAL	ORIFICE ASPIRATION FILETE'4"BSP ANTICORODAL
351	351L103	BOCCA ASPIRAZIONE FIL.4"BSP GHISA	SUCTION BRANCH THREAD 4"BSP CAST IRON	ORIFICE ASPIRATION FILETE'4"BSP FONTE
351	351L21	BOCCA ASPIRAZIONE FIL.4"NPT ALLUMINIO	SUCTION BRANCH THREAD 4"NPT ALUMINIUM	ORIFICE ASPIRATION FILETE'4"NPT ALUMINIUM
351	351L106	BOCCA ASPIRAZIONE FLG DIA100PN10 ALLUMINIO	SUCTION BRANCH FLANGED DIA100PN10 ALUMINIUM	ORIFICE ASPIRATION A BRIDE DIA100PN10 ALUMINIUM
351	351L107	BOCCA ASPIRAZ.FLG DIA100PN10 ANTICORODAL	SUCTION BRANCH FLANGED DIA100PN10 ANTICORODAL	ORIFICE ASPIRATION A BRIDE DIA100PN10 ANTICORODAL
351	351L109	BOCCA ASPIRAZ.FLG DIA100PN10 AISI 304	SUCTION BRANCH FLANGED DIA100PN10 AISI 304	ORIFICE ASPIRATION A BRIDE DIA100PN10 AISI 304
351	351L110	BOCCA ASPIRAZ.FLG DIA100PN10 AISI 316	SUCTION BRANCH FLANGED DIA100PN10 AISI 316	ORIFICE ASPIRATION A BRIDE DIA100PN10 AISI 316
351	351L111	BOCCA ASPIRAZ.FLG DIA100PN10 RIVESTITA RILSAN	SUCTION BRANCH FLANGED DIA100PN10 RILSAN COATED	ORIFICE ASPIRATION A BRIDE DIA100PN10 PLASTIFIE'RILSAN
351	351L113	BOCCA ASPIRAZ.FLG DIA100PN10 RIVESTITA BLUEARMOR	SUCT.BRANCH FLANGED DIA100PN10 BLUEARMOR COATED	ORIFICE ASPIRATION A BRIDE DIA100PN10 REVETE'AVEC RESINE FLUOROORE'

352	352L11	BOCCA MANDATA FIL.4"BSP ALLUMINIO	DELIVERY BRANCH THREAD 4"BSP ALUMINIUM	ORIFICE REFOULEMENT FILETE'4"BSP ALUMINIUM
352	352L102	BOCCA MANDATA FIL.4"BSP ANTICORODAL	DELIVERY BRANCH THREAD 4"BSP ANTICORODAL	ORIFICE REFOULEMENT FILETE'4"BSP ANTICORODAL
352	352L103	BOCCA MANDATA FIL.4"BSP GHISA	DELIVERY BRANCH THREAD 4"BSP CAST IRON	ORIFICE REFOULEMENT FILETE'4"BSP FONTE
352	352L21	BOCCA MANDATA FIL.4"NPT ALLUMINIO	DELIVERY BRANCH THREAD 4"NPT ALUMINIUM	ORIFICE REFOULEMENT FILETE'4"NPT ALUMINIUM
352	352L106	BOCCA MANDATA FLG.DIA100PN10 ALLUMINIO	DELIVERY BRANCH FLANGED DIA100PN10 ALUMINIUM	ORIFICE REFOULEMENT A BRIDE DIA100PN10 ALUMINIUM
352	352L107	BOCCA MANDATA FLG.DIA100PN10 ANTICORODAL	DELIVERY BRANCH FLANGED DIA100PN10 ANTICORODAL	ORIFICE REFOULEMENT A BRIDE DIA100PN10 ANTICORODAL
352	352L109	BOCCA MANDATA FLG.DIA100PN10 AISI 304	DELIVERY BRANCH FLANGED DIA100PN10 AISI 304	ORIFICE REFOULEMENT A BRIDE DIA100PN10 AISI 304
352	352L110	BOCCA MANDATA FLG.DIA100PN10 AISI 316	DELIVERY BRANCH FLANGED DIA100PN10 AISI 316	ORIFICE REFOULEMENT A BRIDE DIA100PN10 AISI 316
352	352L111	BOCCA MANDATA FLG.DIA100PN10 RIVESTITA RILSAN	DELIVERY BRANCH FLANGED DIA100PN10 RILSAN COATED	ORIFICE REFOULEMENT A BRIDE DIA100PN10 PLASTIFIE'RILSAN
352	352L113	BOCCA MANDATA FLG.DIA100PN10 RIVESTITA BLUE ARMOR	DELIVERY BRANCH FLANGED DIA100PN10 BLUEARMOR COATED	ORIFICE REFOULEMENT A BRIDE DIA100PN10 REVETE'AVEC RESINE FLUORORE'
353	353L13531	MEMBRANA NEOPRENE	NEOPRENE DIAPHRAGM	MEMBRANE NEOPRENE
353	353L13532	MEMBRANA NBR	NITRILIC RUBBER DIAPHRAGM	MEMBRANE NBR (NITRILIQUE)
353	353L13533	MEMBRANA HYPALON	HYPALON DIAPHRAGM	MEMBRANE HYPALON
353	353L13534	MEMBRANA DUTRAL	DUTRAL DIAPHRAGM	MEMBRANE DUTRAL
353	353L13535	MEMBRANA IN GOMMA ATOSSICA	NON TOXIC DIAPHRAGM	MEMBRANE ATOXIQUE
353	353L13536	MEMBRANA VITON	VITON DIAPHRAGM	MEMBRANE VITON
354	354L11	VALVOLA NEOPRENE	NEOPRENE VALVE	CLAPET NEOPRENE
354	354L12	VALVOLA NBR	NITRILIC RUBBER VALVE	CLAPET NBR (NITRILIQUE)
354	354L13	VALVOLA HYPALON	HYPALON VALVE	CLAPET HYPALON
354	354L14	VALVOLA DUTRAL	DUTRAL VALVE	CLAPET DUTRAL
354	354L15	VALVOLA IN GOMMA ATOSSICA	NON TOXIC VALVE	CLAPET ATOXIQUE
354	354L16	VALVOLA VITON	VITON VALVE	CLAPET VITON
355	355L1064	CASSA D'ARIA FILETTATA NASTRO ACCIAIO CON GHIERA 1"	AIR CHAMBER THREADED STEEL STRIP WITH 1"HOLE FOR PLUG	CHAMBRE A AIR FILETE'ACIER AVEC MANCHON
355	355L1065	CASSA D'ARIA FLANGIATA NASTRO ACCIAIO CON GHIERA 1"	AIR CHAMBER FLANGED STEEL STRIP WITH 1"HOLE FOR PLUG	CHAMBRE A AIR A BRIDE ACIER AVEC MANCHON
355	355L11	CASSA D'ARIA FILETTATA NASTRO ACCIAIO COMPLETA DI TAPPO BRONZO	AIR CHAMBER THREADED STEEL STRIP WITH BRONZE PLUG	CHAMBRE A AIR FILETE'ACIER AVEC BOUCHON EN BRONZE 1"
355	355L140	CASSA D'ARIA FLANGIATA NASTRO ACCIAIO COMPLETA DI TAPPO BRONZO	AIR CHAMBER FLANGED STEEL STRIP WITH BRONZE PLUG	CHAMBRE A AIR A BRIDE ACIER AVEC BOUCHON EN BRONZE 1"
355	355L15	CASSA D'ARIA FLANGIATA ACCIAIO INOX AISI 304 (VERSIONE SENZA TAPPO)	AIR CHAMBER FLANGED S.S.AISI 304 (VERSION WITHOUT PLUG)	CHAMBRE A AIR A BRIDE AISI 304 (VERSION SANS BOUCHON)
355	355L16	CASSA D'ARIA FLANGIATA ACCIAIO INOX AISI 316 (VERSIONE SENZA TAPPO)	AIR CHAMBER FLANGED S.S.AISI 316 (VERSION WITHOUT PLUG)	CHAMBRE A AIR A BRIDE AISI 316 (VERSION SANS BOUCHON)
355	355L17	CASSA D'ARIA FLANGIATA RIVESTITA RILSAN (VERSIONE SENZA TAPPO)	AIR CHAMBER FLANGED RILSAN COATED (VERSION WITHOUT PLUG)	CHAMBRE A AIR A BRIDE PLASTIFIE'RILSAN (VERSION SANS BOUCHON)
355	355L18	CASSA D'ARIA FLANGIATA RIVESTITA BLUE ARMOR (VERSIONE SENZA TAPPO)	AIR CHAMBER FLANGED BLUE ARMOR COATED (VERSION WITHOUT PLUG)	CHAMBRE A AIR A BRIDE REVETE'AVEC RESINE FLUORORE' (VERSION SANS BOUCHON)
355	355L13552	TAPPO FILETTATO GHISA	CAST IRON THREADED PLUG	BOUCHON FILETE'EN FONTE
356	356L11	FLANGIA BLOCCAGGIO MEMBR.ALLUMINIO	DIAPHRAGM LOOKING FLANGE ALUMINIUM	PLATEAU ALUMINIUM
356	356L12	FLANGIA BLOCCAGGIO MEMBR.ANTICORODAL	DIAPHRAGM LOOKING FLANGE ANTICORODAL	PLATEAU ANTICORODAL
356	356L13	FLANGIA BLOCCAGGIO MEMBR.GHISA	DIAPHRAGM LOOKING FLANGE CAST IRON	PLATEAU EN FONTE
356	356L14	FLANGIA BLOCCAGGIO MEMBR.S.S.AISI 304	DIAPHRAGM LOOKING FLANGE S.S.AISI 304	PLATEAU AISI 304
356	356L15	FLANGIA BLOCCAGGIO MEMBR.S.S.AISI 316	DIAPHRAGM LOOKING FLANGE S.S.AISI 316	PLATEAU AISI 316
356	356L16	FLANGIA BLOCCAGGIO MEMBR.RIVESTITA RILSAN	DIAPHRAGM LOOKING FLANGE RILSAN COATED	PLATEAU PLASTIFIE'RILSAN
356	356L17	FLANGIA BLOCCAGGIO MEMBR.RIVESTITA BLUE ARMOR	DIAPHRAGM LOOK.FLANGE BLUEARMOR COATED	PLATEAU REVETE'AVEC RESINE FLUORORE'
357	357L11	BIELLA IN ALLUMINIO	ALUMINIUM CONNECTING ROD	BIELLE ALUMINIUM
357	357L13	BIELLA IN GHISA	CAST IRON CONNECTING ROD	BIELLE EN FONTE
358	358L11	SUPPORTO RIDUTTORE ALLUMINIO	MOUNTING CASE ALUMINIUM	SUPPORT REDUCTEUR ALUMINIUM
359	359L11	MANOVELLA	CRANK	MANIVELLE
361	361L13611	BULLONE	BOLT	BOULON

362	362L13621	BULLONE	BOLT	BOULON
363	363L13631	PRIGIONIERO	STUD	GOUJON
364	364L13641	PRIGIONIERO	STUD	GOUJON
365	365L13651	BULLONE	BOLT	BOULON
366	366L11	BASE PER MOTORE ELETTRICO IN PROFILATO METALLICO	SKID BASE FOR ELETTRIC MOTOR	CHASSIS FIXE POUR MOTEUR ELECTRIQUE
366	366L13H	BASE FISSA PER MOTORE DIESEL HATZ1B30	STATIONNARY FRAME FOR DIESEL ENGINE 1B30	CHASSIS FIXE POUR MOTEUR DIESEL 1B30
367	367L12	CARRELLO CON RUOTE PNEUMATICHE E TIMONE PER POMPA CON MOTORE DIESEL LOMBARDINI 6D325/C	TRAILER WITH PNEUMATIC WHEELS AND DRAWBAR FOR PUMP DIESEL ENGINE LOMBARDINI 6LD325/C	CHARIOT AVEC TIMON ET ROUES PNEUMATIQUES POUR POMPE AVEC MOTEURDIESEL LOMBARDINI 6LD325/C
367	367L13	CARRELLO CON RUOTE PNEUMATICHE E TIMONE PER POMPA CON MOTORE DIESEL HATZ 1D41	TRAILER WITH PNEUMATIC WHEELS AND DRAWBAR FOR PUMP DIESEL ENGINE HATZ 1D41	CHARIOT AVEC TIMON ET ROUES PNEUMATIQUES POUR POMPE AVEC MOTEUR DIESEL HATZ 1D41
367	367L14	CARRELLO CON RUOTE PNEUMATICHE E TIMONE PER POMPA CON MOTORE ELETTRICO	TRAILER WITH PNEUMATIC WHEELS AND DRAWBAR FOR PUMP WITH ELECTRIC MOTOR	CHARIOT AVEC TIMON ET ROUES PNEUMATIQUES POUR POMPE AVEC MOTEUR ELECTRIQUE
367	367L15	CARRELLO CON RUOTE PNEUMATICHE E TIMONE PER POMPA CON MOTORE A SCOPPIO (SPECIF. IL MODELLO)	TRAILER WITH PNEUMATIC WHEELS AND DRAWBAR FOR PUMP WITH PETROL ENGINE (MODEL TO SPECIFY)	CHARIOT AVEC TIMON ET ROUES PNEUMATIQUES POUR POMPE AVEC MOTEUR A ESSENCE (SPECIFIER LE MODEL)
367	367L54	CARRELLO PROTETTIVO CON RUOTE PNEUMATICHE PER POMPA CON MOTORE DIESEL 1B30	WRAPAROUND WITH PNEUMATIC WHEELS FOR PUMP WITH DIESEL ENGINE 1B30	CADRE DE PROTECTION AVEC ROUES PNEUMATIQUES POUR POMPE AVEC MOTEUR DIESEL 1B30
367	367L54/GX270	CARRELLO PROTETTIVO CON RUOTE PNEUMATICHE PER HONDA GX270	WRAPAROUND WITH PNEUMATIC WHEELS FOR HONDA GX270	CADRE DE PROTECTION AVEC ROUES PNEUMATIQUES POUR HONDA GX270
367	367L54/TPH	CARRELLO PROTETTIVO CON RUOTE PNEUMATICHE E STEGOLE PER MOTORE ELETTRICO	WRAPAROUND WITH PNEUMATIC WHEELS AND TWO HANDLES FOR ELECTRIC MOTOR	CADRE DE PROTECTION AVEC ROUES PNEUMATIQUES ET POIGNEES POUR MOTEUR ELECTRIQUE
367	367L55	CARRELLO PROTETTIVO CON RUOTE PNEUMATICHE PER LOMBARDINI 15LD315	WRAPAROUND WITH PNEUMATIC WHEELS FOR LOMBARDINI 15LD315	CADRE DE PROTECTION AVEC ROUES PNEUMATIQUES POUR LOMBARDINI 15LD315
368	368L13682	PROTEZIONE BIELLA PLASTICA	PLASTIC PROTECTION	PROTECTION EN PLASTIQUE
369	369L13691	ALBERO PER HATZ ES79	SHAFT FOR HATZ ES79	ARBRE POUR HATZ ES79
370	370L13701	CHIAVETTA	KEY	CLAVETTE
371	371L11	FLANGIA ACCOPPIAMENTO PER HATZ ES79	ADAPTER COUPLING HATZ ES79	BRIDE POUR HATZ ES79
371	371L12	FLANGIA ACCOPPIAMENTO PER NEMAC184TC	ADAPTER COUPLING NEMA C184TC	BRIDE POUR NEMA C184TC
371	371L16	FLANGIA ACCOPPIAMENTO PER HONDA GX270R	ADAPTER COUPLING HONDA GX270 R	BRIDE POUR HONDA GX270R
371	371L17	FLANGIA ACCOPPIAMENTO SAE609 B – ALBERO 1” PER MOTORI HATZ1B30/1D41/LOMBARDINI LGA280/HONDA GX270QX	ADAPTER COUPLING SAE 609 B – 1” SHAFT FOR HATZ 1B30/1D41/ LOMBARDINI LGA280/HONDA GX270QX	BRIDE SAE609B – ARBRE 1” POUR HATZ 1B30/1D41- LOMBARDINI LGA280-HONDA GX270QX
372	372L11	PIGNONE 1/38 D.25,4mm. HATZ/INTERMOTOR	PINION 1/38 D.25,4 HATZ/INTERMOTOR	PIGNON 1/38 D.25,4 POUR HATZ/INTERMOTOR
372	372L12	PIGNONE 1/38 NEMA C184TC	PINION 1/38 NEMA C184TC	PIGNON 1/38 POUR NEMA C184TC
372	372L13	PIGNONE 1/38 D.20 mm. HONDA GX160/270	PINION 1/38 D.20 mm. HONDA GX160/270	PIGNON 1/38 D.20 mm POUR HONDA GX160/270
372	372L14	PIGNONE 1/38 D.22 mm. HONDA GX160/270	PINION 1/38 D.22 mm. HONDA GX160/270	PIGNON 1/38 D.22 mm POUR HONDA GX160/270
372	372L15	PIGNONE 1/38 D.25 mm. ROBIN DY27B	PINION 1/38 D.25 mm. ROBIN DY27B	PIGNON 1/38 D.25 mm POUR ROBIN DY27B
372	372L16	PIGNONE 1/38 D.28mm MOTORE ELETTRICO 3 KW FORMA 100	PINION 1/38 D.28 mm. ELECTRIC MOTOR E.SIZE 100 3 KW	PIGNON 1/38 D.28 mm POUR MOTEUR ELECTRIQUE 3 KW FORME 100
373	373L13731	BOCCOLA PER PIGNONE 1/38 - 1/55	INTERNAL RING FOR PINION 1/38 - 1/55	BOITE DE GRAISSE PIGNON 1/38 - 1/55
374	374L11	INGRANAGGIO 1/38	GEAR 1/38	ENGRENAGE 1/38
374	374L12	INGRANAGGIO 1/55	GEAR 1/55	ENGRENAGE 1/55
375	375L11	FLANGIA ACCOPPIAMENTO PER LOMBARD. 6LD325C	ADAPTER COUPLING FOR LOMBARDINI 6LD325C	BRIDE POUR LOMBARDINI 6LD325C
375	375L12	FLANGIA ACCOPPIAMENTO PETTER AD1	ADAPTER COUPLING FOR PETTER AD1	BRIDE POUR PETTER AD1
375	375L13753	FLANGIA ACCOPPIAMENTO ROBIN DY27B	ADAPTER COUPLING ROBIN DY27B	BRIDE POUR ROBIN DY27B
376	376L13761	PARAOILIO	OIL SEAL RING	JOINT
377	377L13771	SEEGER	SEEGER	SEEGER
378	378L13781	CUSCINETTO	BEARING	ROULEMENT
379	379L11	PIGNONE 1/31 D.25,4 mm. LOMBARDINI 6LD325C	PINION 1/31 D.25,4 LOMBARDINI 6LD325C	PIGNON 1/31 D.25,4 mm POUR LOMBARDINI 6LD325C
379	379L12	PIGNONE 1/31 D.28mm MOTORE ELETTRICO 3 KW FORMA 100	PINION 1/31 D.28 mm. ELECTRIC MOTOR E.SIZE 100 3 KW	PIGNON 1/31 D.28 mm POUR MOTEUR ELECTRIQUE 3 KW FORME 100

380	380L13801	CUSCINETTO	BEARING	ROULEMENT
381	381L13811	GANCIO SOLLEVAMENTO	LIFTING HOOK	CROCHET
382	382L11	COPERCHIO RIDUTTORE ALLUMINIO	COVER REDUCTION GEAR ALUMINIUM	COUVERCLE REDUCTEUR ALUMINIUM
383	383L13831	GUARNIZIONE	GASKET	JOINT
384	384L13841	CUSCINETTO	BEARING	ROULEMENT
385	385L11	INGRANAGGIO 1/31	GEAR 1/31	ENGRENAGE 1/31
386	386L13861	CHIAVETTA	KEY	CLAVETTE
387	387L11	ALBERO CON INGRANAGGIO PER RATIO 1/31 O 1/38	SHAFT WITH GEAR FOR RATIO 1/31 OR 1/38	ARBRE AVEC ENGRENAGE POUR RATIO 1/31 OU 1/38
387	387L12	ALBERO CON INGRANAGGIO PER RATIO 1/55	SHAFT WITH GEAR FOR RATIO 1/55	ARBRE AVEC ENGRENAGE POUR RATIO 1/55
388	388L13881	CUSCINETTO	BEARING	ROULEMENT
389	389L11	CUSCINETTO	BEARING	ROULEMENT
390	390L11	ALBERO	SHAFT	ARBRE
391	391L13911	CHIAVETTA	KEY	CLAVETTE
392	392L13921	CHIAVETTA	KEY	CLAVETTE
393	393L11	INGRANAGGIO PER RATIO 1/31 O 1/38	GEAR FOR RATIO 1/31 OR 1/38	ENGRENAGE POUR RATIO 1/31 OU 1/38
393	393L12	INGRANAGGIO PER RATIO 1/55	GEAR FOR RATIO 1/55	ENGRENAGE POUR RATIO 1/55
394	394L13941	CUSCINETTO	BEARING	ROULEMENT
395	395L11	CARTER RIDUTTORE ALLUMINIO	GEAR BOX CASE ALUMINIUM	CARTER REDUCTEUR ALUMINIUM
396	396L13961	PARAOILIO	OIL SEAL RING	JOINT
397	397L11	RONDELLA	WASHER	RONDELLE
398	398L13981	GABBIA A RULLI	NEEDLE BUSHING	ROULEMENT
399	399L13991	COPERCHIO BIELLA	CONNECTING ROD COVER	COUVERCLE BIELLE
400	400L14001	BULLONE	BOLT	BOULON
401	401L14011	BULLONE PER MANOVELLA	BOLT FOR CRANK	BOULON POUR MANIVELLE
402	402L14021	RONDELLA	WASHER	RONDELLE
403	403L14031	BULLONE	BOLT	BOULON
404	404L11	PIGNONE 1/55 D. 28 mm. PER MOTORE ELETTRICO F.100/112 4 KW	PINION 1/55 D. 28 mm. FOR ELECTRIC MOTOR 100/112 SIZE 4 KW	PIGNON 1/55 D.28 mm POUR MOTEUR ELECTRIQUE FORME 100/112 4KW
404	404L12	PIGNONE 1/55 D. 25,4 mm. PER MOTORE A SCOPPIO O DIESEL	PINION 1/55 D. 25,4 mm. FOR PETROL OR DIESEL ENGINE	PIGNON 1/55 D.25,4 mm POUR MOTEUR A ESSENCE OU DIESEL
405	405L14051	BULLONE	BOLT	BOULON
407	407L11	RIDUTTORE 1/31 ALLUMINIO PER MOTORE DIESEL LOMBARDINI 6LD325C	ALUMINIUM GEAR BOX ASSY 1/31 FOR DIESEL ENGINE LOMBARDINI 6LD325C	REDUCTEUR COMPLETE 1/31 POUR MOTEUR DIESEL LOMBARDINI 6LD325C
407	407L12	RIDUTTORE 1/31 ALLUMINIO PER MOTORE ELETTRICO FORMA 100 – 1450 RPM – 3KW	ALUMINIUM GEAR BOX ASSY 1/31 FOR ELECTRIC MOTOR SIZE 100 – 1450 RPM – 3 KW	REDUCTEUR COMPLETE 1/31 POUR MOTEUR ELECTRIQUE FORME 100 - 1450 T/M 3 KW
407	407L12/US	RIDUTTORE 1/38 ALLUMINIO PER NEMAC 184TC	ALUMINIUM GEAR BOX ASSY 1/38 FOR NEMAC184TC	REDUCTEUR COMPLETE 1/38 POUR MOTEUR NEMA C184TC
407	407L13	RIDUTTORE 1/38 ALLUMINIO .PER MOTORI 1900 RPM HATZ/LOMBARDINI/HONDA CON ALBERO D. 25,4 mm.	ALUMINIUM GEAR BOX ASSY 1/38 FOR ENGINES AT 1900 RPM HATZ/LOMBARDINI/HONDA WITH SHAFT D. 25, 4 mm.	REDUCTEUR COMPLETE 1/38 POUR MOTEUR A 1900 T/M HATZ/LOMBARDINI/HONDA AVEC ARBRE D.25,4 mm
407	407L15	RIDUTTORE 1/38 ALLUMINIO PER MOTORE ELETTRICO FORMA 100 - 1450 RPM – 3 KW	ALUMINIUM GEAR BOX ASSY 1/38 FOR ELECTRIC MOTOR SIZE 100 – 1450 RPM – 3KW	REDUCTEUR COMPLETE 1/38 POUR MOTEUR ELECTRIQUE FORME 100 - 1450 T/M 3 KW
407	407L16	RIDUTTORE 1/38 ALLUMINIO PER ROBIN DY27B ALBERO D. 25 mm.	ALUMINIUM GEAR BOX ASSY 1/38 FOR ROBIN DY27B SHAFT D. 25 mm.	REDUCTEUR COMPLETE 1/38 POUR MOTEUR ROBIN DY27B ARBRE D. 25 mm
407	407L17	RIDUTTORE 1/55 ALLUMINIO PER MOTORI A 3000 RPM HATZ/LOMBARDINI/HONDA CON ALBERO D. 25,4 mm.	ALUMINIUM GEARBOX ASSY 1/55 FOR ENGINES AT 3000 RPM HATZ/LOMBARDINI/HONDA WITH SHAFT D. 25, 4 mm.	REDUCTEUR COMPLETE 1/55 POUR MOTEUR A 3000 T/M HATZ/LOMBARDINI/HONDA AVEC ARBRE D.25,4 mm
407	407L18	RIDUTTORE 1/55 ALLUMINIO PER MOTORE ELETTRICO FORMA 100/112 – 2900 RPM – 4 KW	ALUMINIUM GEAR BOX ASSY 1/55 FOR ELECTRIC MOTOR SIZE 100/112 – 2900 RPM – 4 KW	REDUCTEUR COMPLETE 1/55 POUR MOTEUR ELECTRIQUE FORME 100/112 2900 T/M 4 KW



43044 (Cavalli) LEMIGNANO DI COLLECCHIO (Parma) - Italia
Via G. di Vittorio, 46 - Tel. +39.0521.804325 - Fax +39.0521.804145
E-mail: info@caffinipumps.it - Homepage: www.caffinipumps.it
Partita IVA / VAT ID Nr. IT 02002550347