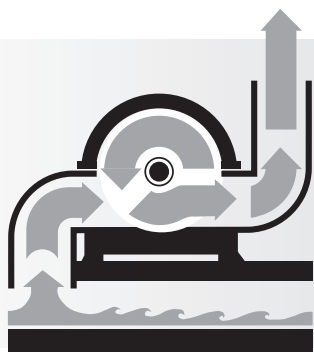


Caffini pumps

**SPARE PARTS LIST
LISTE PIECES DE RECHANGE
CATALOGO RICAMBI**

**SELF PRIMING DIAPHRAGM PUMP
POMPE AUTO-AMORÇANTE A MEMBRANE
POMPA AUTOADESCANTE A MEMBRANA**



Libellula 2''

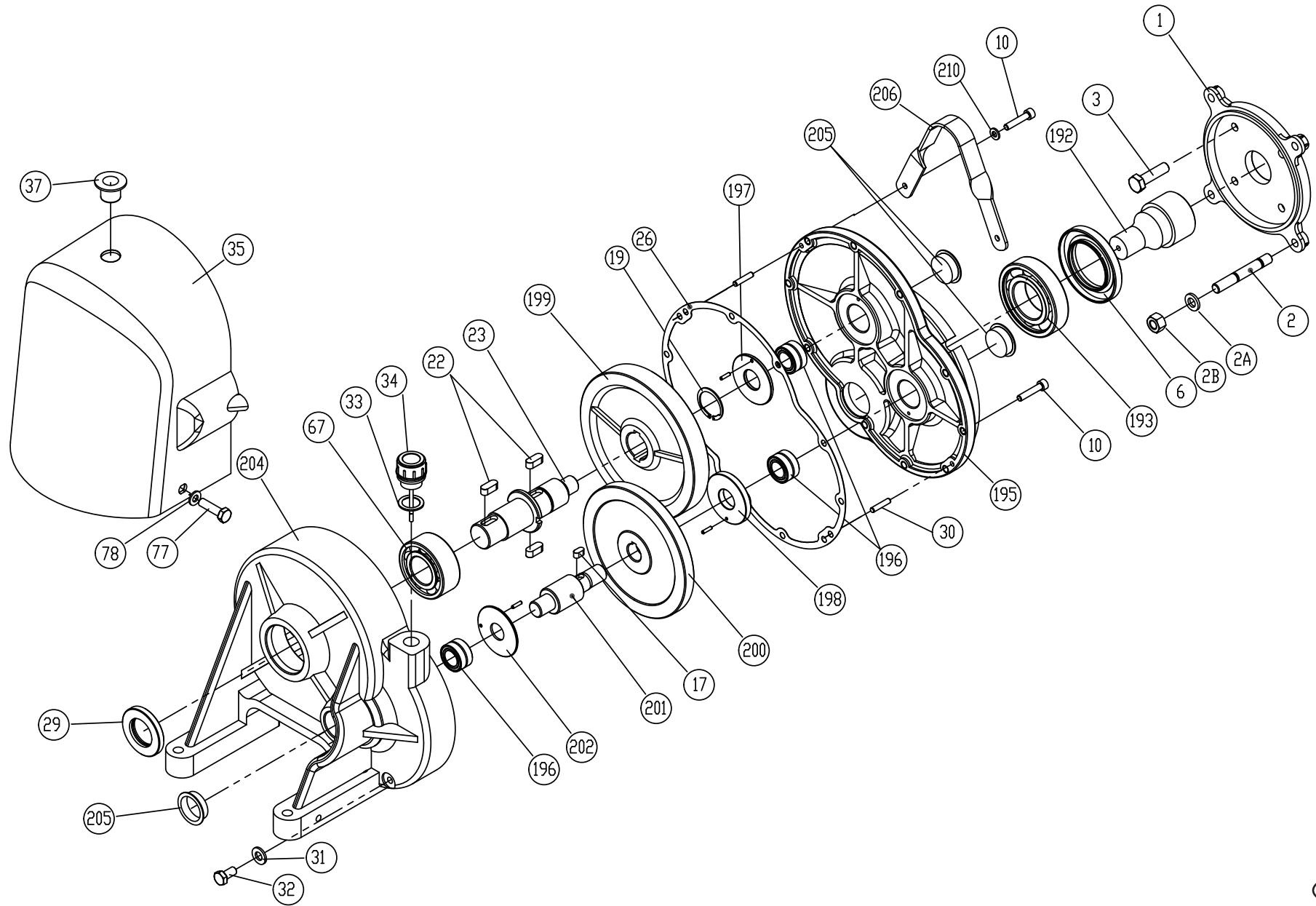


FIG 1

NR	ITEM	DESCRIZIONE	DESCRIPTION	DESCRIPTION
1	001 L1002	Flangia accoppiamento motore per Robin Ex13/Ex17-Honda GX120QX - Kohler (flangia Sae 609A albero diam. mm 19,05)	Adapter coupling engine for Robin Ex13-Honda GX120QX- (adapter Sae 609A shaft diam mm 19,05)	Bride pour moteur Robin Ex13-Honda GX120 QX - (bride Sae 609A arbre diam mm 19,05)
2	002L0321	Prigioniero fissaggio pompa a flangia	Stud fastening pump to flange	Goujon

2A	550M90501	Rondella	Washer	Rondelle
2B	551M90511	Dado	Nut	Ecrou
3	003L0321	Vite fissaggio motore a flangia	Capscrew fastening engine to flange	Vis
6	006L5061	Anello di tenuta	Oil seal ring	Joint
10	010L02102	Vite fissaggio coperchio al carter	Capscrew fastening cover to casing	Vis
17	017L08171	Chiavetta albero 1°	Key shaft 1°	Clavette arbre 1°
19	019L04191	Seeger albero 2°	Seeger ring shaft 2°	Seeger arbre 2°
22	022L08222	Chiavetta albero 2°	Key shaft 2°	Clavette arbre 2°
23	023L412	Albero 2°	Shaft 2°	Arbre 2°
26	026L70N	Guarnizione riduttore	Gasket gear box	Joint reducteur
29	029L50292	Anello di tenuta albero 2° lato carter	Seal ring shaft 2° casing side	Joint arbre 2°
30	030L06301	Spina centraggio riduttore	Dowel pin gear box	Goupille
31	031L05311	Rondella per tappo scarico olio	Washer for oil drain plug	Rondelle
32	032L01032	Tappo scarico olio	Oil drain plug	Bouchon
34	034L55	Tappo immersione olio con sfiato (include fig.33)	Oil field plug with dipstick (fig.33 included)	Bouchon avec valve (fig.33 inclus)
35	035L71354	Protezione biella in plastica versione edilizia	Plastic protection for connecting rod for building version	Protection plastique pour bielle version chantier
37	037L70376	Tappo per protezione in plastica	Plug for plastic protection	Bouchon
67	067L90676	Cuscinetto a sfere per albero 2°	Bearing shaft 2°	Roulement
77	077L01779	Vite fissaggio protezione	Screw fastening protection	Vis
78	209L520917	Rondella per bullone	Washer for bolt	Rondelle
192	192L4011	Pignone elicoidale per motore elettrico ratio 1:43 (albero diam 24 mm.)	Helical pinion for electric motor ratio 1:43 (shaft diam 24 mm)	Pignon helicoidale pour moteur électrique RR 1:43 (arbre diam 24 mm)
192	192L4012	Pignone elicoidale per motore elettrico ratio 1:38 (albero diam 24 mm.)	Helical pinion for electric motor ratio 1:38 (shaft diam 24 mm)	Pignon helicoidale pour moteur électrique RR 1:38 (arbre diam 24 mm)
192	192L4013	Pignone elicoidale per motore elettrico ratio 1:30 (albero diam 24 mm.)	Helical pinion for electric motor ratio 1:30 (shaft diam 24 mm)	Pignon helicoidale pour moteur électrique RR 1:30 (arbre diam 24 mm)
192	192L4014	Pignone elicoidale per motore scoppio ratio 1:43 (solo per albero diam 19,05 mm.)	Helical pinion for gasoline or diesel engine ratio 1:43 (only for shaft diam 19,05 mm.)	Pignon helicoidale pour moteur essence ou diesel RR 1:43 (seulement pour arbre diam 19,05 mm)
192	192L4020	Pignone elicoidale per motore elettrico NEMA C ratio 1:38 (albero diam 22,2 mm.)	Helical pinion for electric motor NEMA C ratio 1:38 (shaft diam 22,2 mm)	Pignon helicoidale pour moteur électrique NEMA C RR 1:38 (arbre diam 22,2 mm)
193	193L9019311	Cuscinetto supporto pignone elicoidale	Bearing for helical pinion	Roulement
195	195L100	Coperchio riduttore Alluminio Elicoidale	Helical Cover gear box Aluminium	Couvercle Reducteur ALUMINIUM helicoidale
196	196L9019612	Gabbia a rulli	Needle bushing	Roulement
197	197L7091	Rondella albero 2° lato coperchio	Washer shaft 2° cover side	Rondelle arbre 2°
198	198L7011	Rondella albero 1° lato coperchio	Washer shaft 1° cover side	Rondelle arbre 1°
199	199L4113	Ingranaggio elicoidale albero 2°	Helical driven shaft 2°	Engrenage arbre 2°
200	200L4014	Ingranaggio elicoidale albero 1° R.R. 1:43	Helical driven shaft 1° R.R. 1:43	Engrenage arbre 1° R.R. 1:43
200	200L4015	Ingranaggio elicoidale albero 1° R.R. 1:38	Helical driven shaft 1° R.R. 1:38	Engrenage arbre 1° R.R. 1:38
200	200L4016	Ingranaggio elicoidale albero 1° R.R. 1:30	Helical driven shaft 1° R.R. 1:30	Engrenage arbre 1° R.R. 1:30
201	201L415	Albero 1°	Shaft 1°	Arbre 1°
202	202L7012	Rondella albero 1° lato carter	Washer shaft 1° casing side	Rondelle arbre 1°
204	204L100	Carter in Alluminio elicoidale	Helical Carter gear box Aluminium	Carter Reducteur ALUMINIUM helicoidale
205	205L7020512	Tappo albero 1° lato carter	Plug shaft 1° casing side	Bouchon arbre 1°
206	206L3020626	Gancio di sollevamento	Lifting hook	Crochet
210	210L520917	Rondella per bullone	Washer for bolt	Rondelle
207	207L115N	Riduttore completo alluminio denti elicoidali ratio 1/43 (senza pignone)	Aluminium gear box helicals teeth assy ratio 1/43 (without pinion)	Reducteur a dents helicoidales RR 1/43 Aluminium (sans pignon)
208	208L116N	Riduttore completo alluminio denti elicoidali ratio 1/38 (senza pignone)	Aluminium gear box helicals teeth assy ratio 1/38 (without pinion)	Reducteur a dents helicoidales RR 1/38 Aluminium (sans pignon)
208	208L117N	Riduttore completo alluminio denti elicoidali ratio 1/30 (senza pignone)	Aluminium gear box helicals teeth assy ratio 1/30 (without pinion)	Reducteur a dents helicoidales RR 1/30 Aluminium (sans pignon)

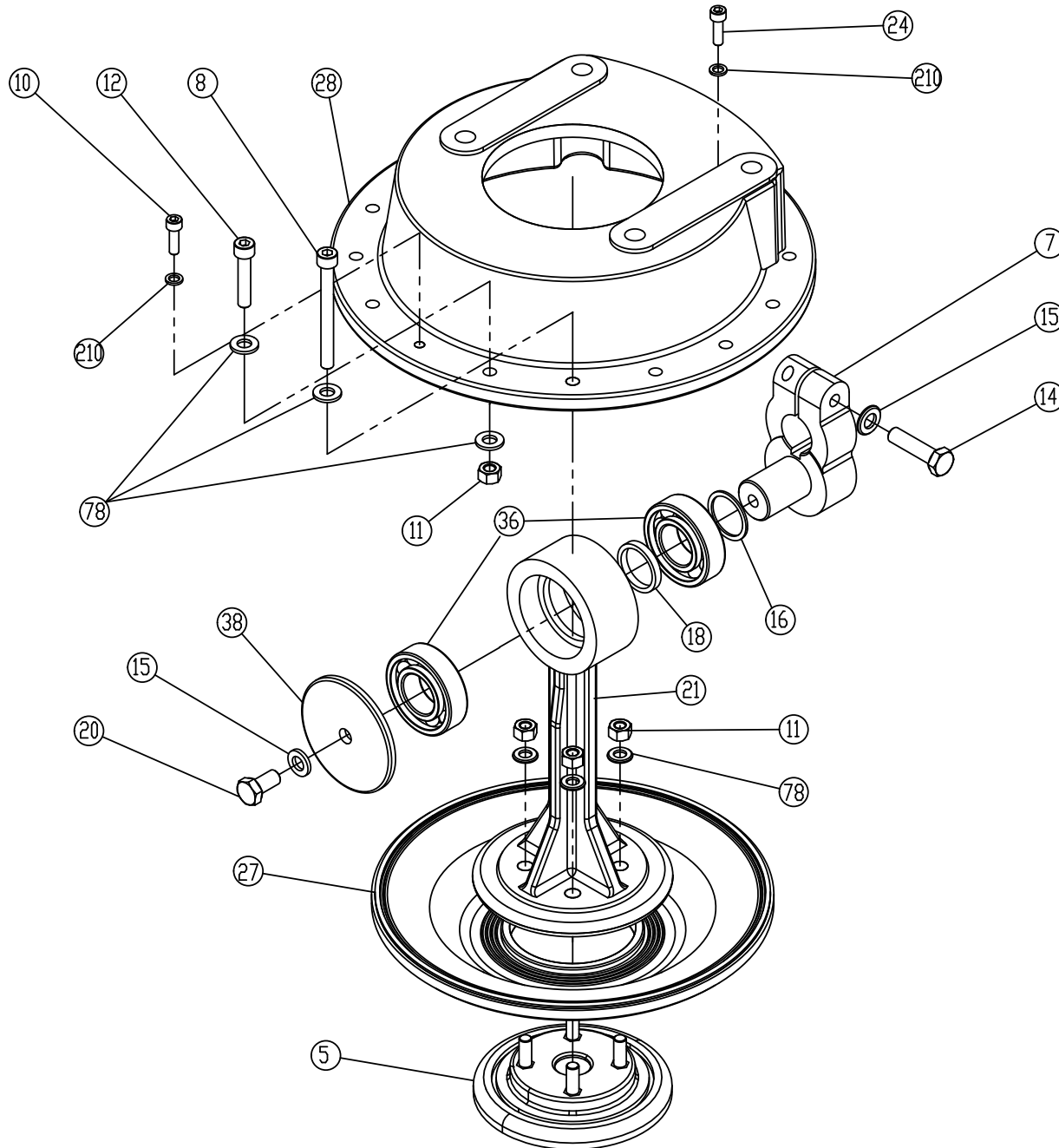
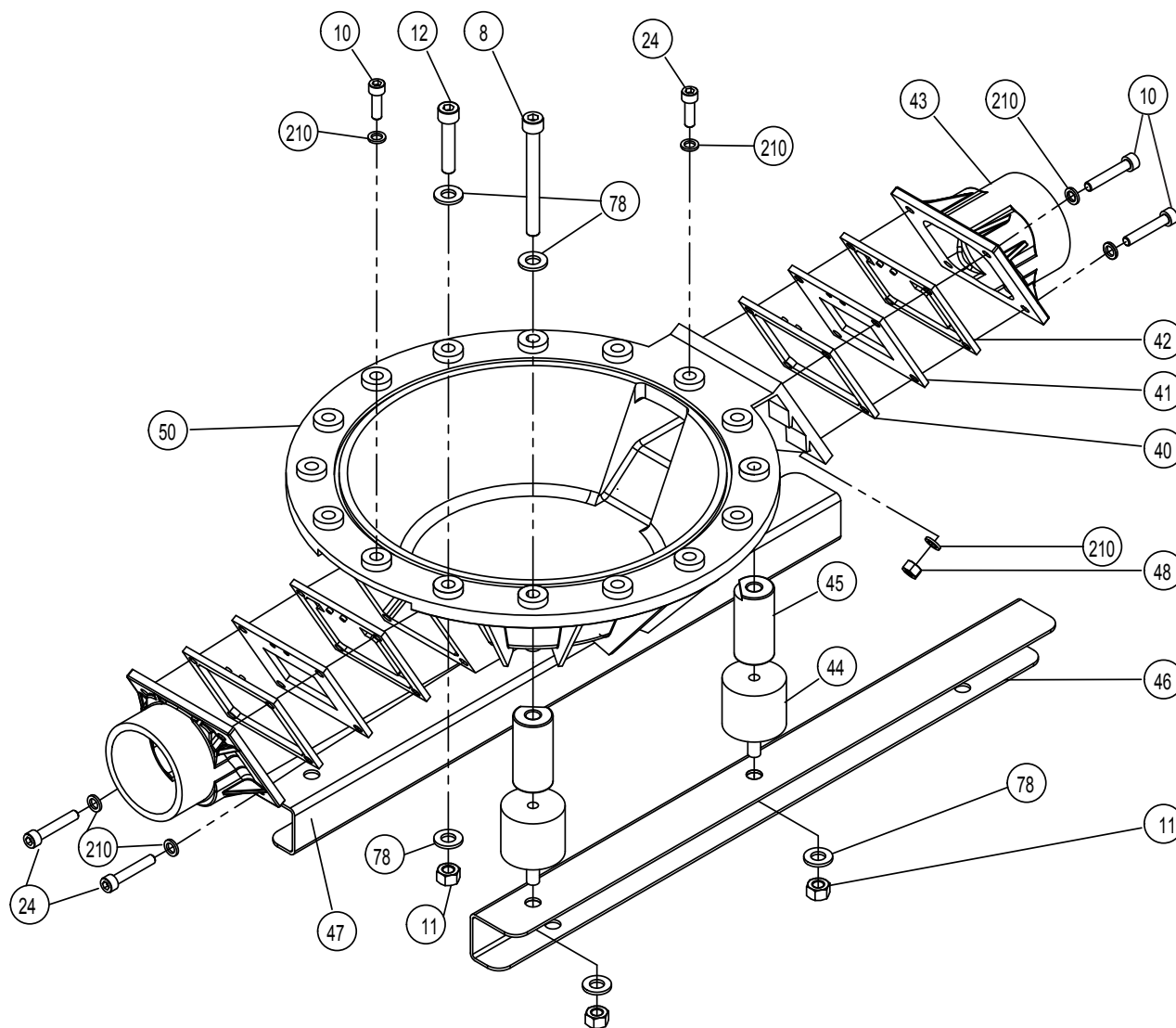


FIG 2

NR	ITEM	DESCRIZIONE	DESCRIPTION	DESCRIPTION
5	770P057A	Piattello inferiore in polipropilene	Polypropylene lower plate with studs	Plateau inf. en polypropilene
5	770P057SS	Piattello inferiore acciaio inox AISI 316	S.S. 316 lower plate	Plateau inf. en AISI 316
5	770P057GH	Piattello inferiore in ghisa	Cast iron lower plate	Plateau inf. en fonte
7	043L321	Manovella	Crank	Manivelle
8	770P008	Bullone	Screw	Boulon
10	010L02102	Bullone	Screw	Boulon
11	551M90511	Dado fissaggio	Nut	Ecrou
12	770P012	Bullone	Screw	Boulon
14	048L01484	Bull one serraggio biella	Bolt clamping connecting rod	Vis serrage bielle
15	041L05414	Rondella	Washer	Rondelle
16	315L54	Distanziale	Spacer	Entretoise
18	316L54	Distanziale	Spacer	Entretoise
20	042L01423	Vite serraggio manovella	Bolt clamping crank	Vis serrage manivelle
21	770P053A	Biella autolubrificata in Alluminio	Self lubricated Aluminium connecting rod	Bielle Aluminium version autolubrifie'
24	770P024	Bullone	Screw	Boulon
27	770P056S	Membrana Tpv	Tpv diaphragm	Membrane Tpv
28	770P059A	Supporto riduttore in Alluminio	Aluminium mounting case	Support reducteur Aluminium
36	045L54	Cuscinetto per biella versione autolubrificata	Bearing for connecting rod self lubricated version	Roulement pour bielle version autolubrifie'
38	047L54	Coperchio per biella versione autolubrificata	Cover for connecting rod self lubricated version	Couvercle pour bielle version autolubrifie'
78	209L520917	Rondella	Washer	Rondelle
210	210L520917	Rondella	Washer	Rondelle

FIG 3


NR	ITEM	DESCRIZIONE	DESCRIPTION	DESCRIPTION
8	770P008	Vite	Bolt	Vis
10	010L02102	Vite	Bolt	Vis
11	551M90511	Dado fissaggio	Nut	Ecrou
12	770P012	Vite	Bolt	Vis
24	770P024	Vite	Bolt	Vis
40	770P06PP	Guarnizione in carta	Paper suction/delivery gasket	Garniture en papier
40	770P063A	Guarnizione in Neoprene	Neoprene suction/delivery gasket	Garniture Neoprene
40	770P0630	Guarnizione in NBR	NBR suction/delivery gasket	Garniture NBR
40	770P063D	Guarnizione in EPDM-FDA	EPDM-FDA suction/delivery gasket	Garniture EPDM-FDA
41	770P064A	Battente valvola in polipropilene	Polypropylene valve seat	Battant de soupape en polypropylene
41	770P064SS	Battente valvola in acciaio inox AISI 316	AISI 316 stainless steel valve seat	Battant de soupape acier inox AISI316
42	770P065N	Valvola aspirazione/mandata in Neoprene	Neoprene suction/delivery valve	Clapet Neoprene
42	770P0650	Valvola aspirazione/mandata in NBR	NBR suction/delivery valve	Clapet NBR
42	770P065D	Valvola aspirazione/mandata in EPDM-FDA	EPDM-FDA suction/delivery valve	Clapet EPDM-FDA
43	770P060B	Bocca aspirazione/mandata filettata PVC 2" BSP	Polypropylene Suction/delivery port threaded 2" BSP	Polypropylene orifice asp./refoulement 2" BSP
43	770P060SS	Bocca aspirazione/mandata filettata 2" in acciaio inox AISI 316	Suction/delivery port threaded 2" AISI 316 stainless steel	Orifice asp./refoulement 2" acier inox AISI 316
43	770P060GH	Bocca aspirazione/mandata filettata 2" in ghisa	Cast iron suction/delivery port threaded 2"	Orifice asp./refoulement 2" en fonte
44	770P612P	Antivibrante	Shock absorber	Amortisseur
45	770P089A	Piede	Foot	Coulonne
46	770P088S	Piede sinistro U AISI 304	Left U foot AISI 304	Pied gauche AISI 304
47	770P088D	Piede destro U AISI 304	Right U foot AISI 304	Pied droit AISI 304
48	770P048	Dado fissaggio	Nut	Ecrou
50	770P068P	Corpo pompa in polipropilene	Polypropylene pump casing	Corpe pompe en Polypropylene
50	770P068SS	Corpo pompa in acciaio inox AISI 316	Stainless steel AISI 316 pump casing	Corpe pompe en acier inox AISI 316
50	770P068GH	Corpo pompa in ghisa	Cast iron pump casing	Corpe pompe en fonte
78	209L520917	Rondella	Washer	Rondelle
210	210L520917	Rondella	Washer	Rondelle

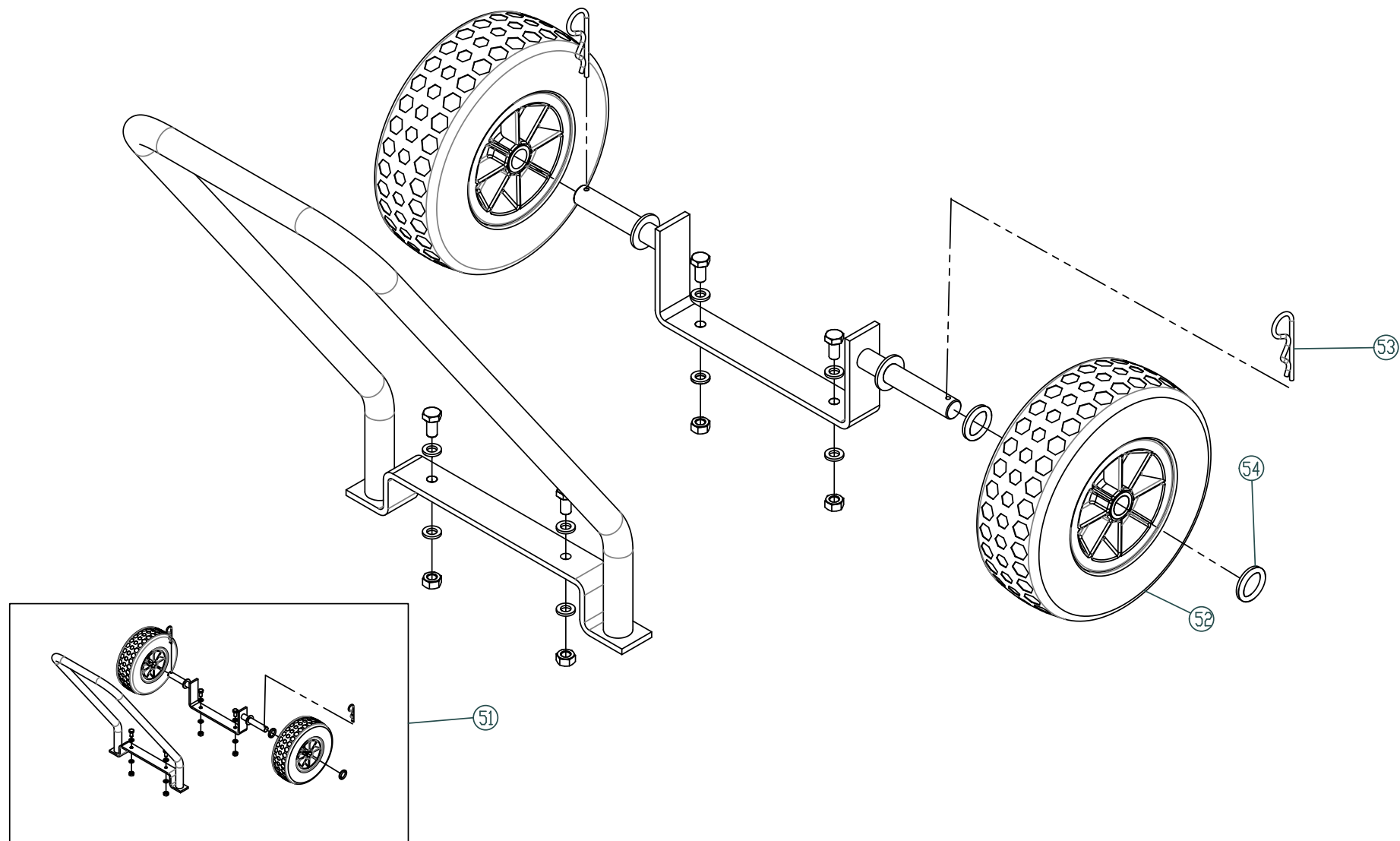


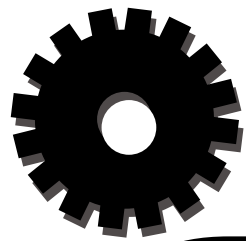
FIG 4

FIG.	ITEM	DESCRIZIONE	DESCRIPTION	DESCRIPTION
51	140L3020	Carrello completo per motore elettrico o a scoppio	Trailer assy for petrol engine or electric motor	Chariot pour moteur a essence ou electrique
52	160L271605	Ruota pneumatica per carrello	Pneumatic wheels for trailer	Roue pneumatique
53	158L61585	Copiglia	Pin	Goupille
54	159L3015917	Rondella	Washer	Rondelle

Notes

A series of 20 horizontal dashed lines spanning the width of the page, intended for taking handwritten notes.

Caffini pumps



Caffini
pumps



Caffini Cipriano srl



43044 (Cavalli) LEMIGNANO DI COLLECCHIO (Parma) - Italia
Via G. di Vittorio, 46 - Tel. +39.0521.804325 - Fax +39.0521.804145
www.caffinipumps.it - E-mail: info@caffinipumps.it
Partita IVA / VAT ID Nr. IT 02002550347