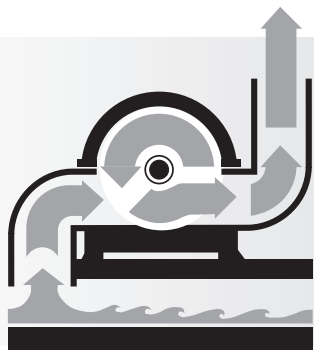


Caffini pumps

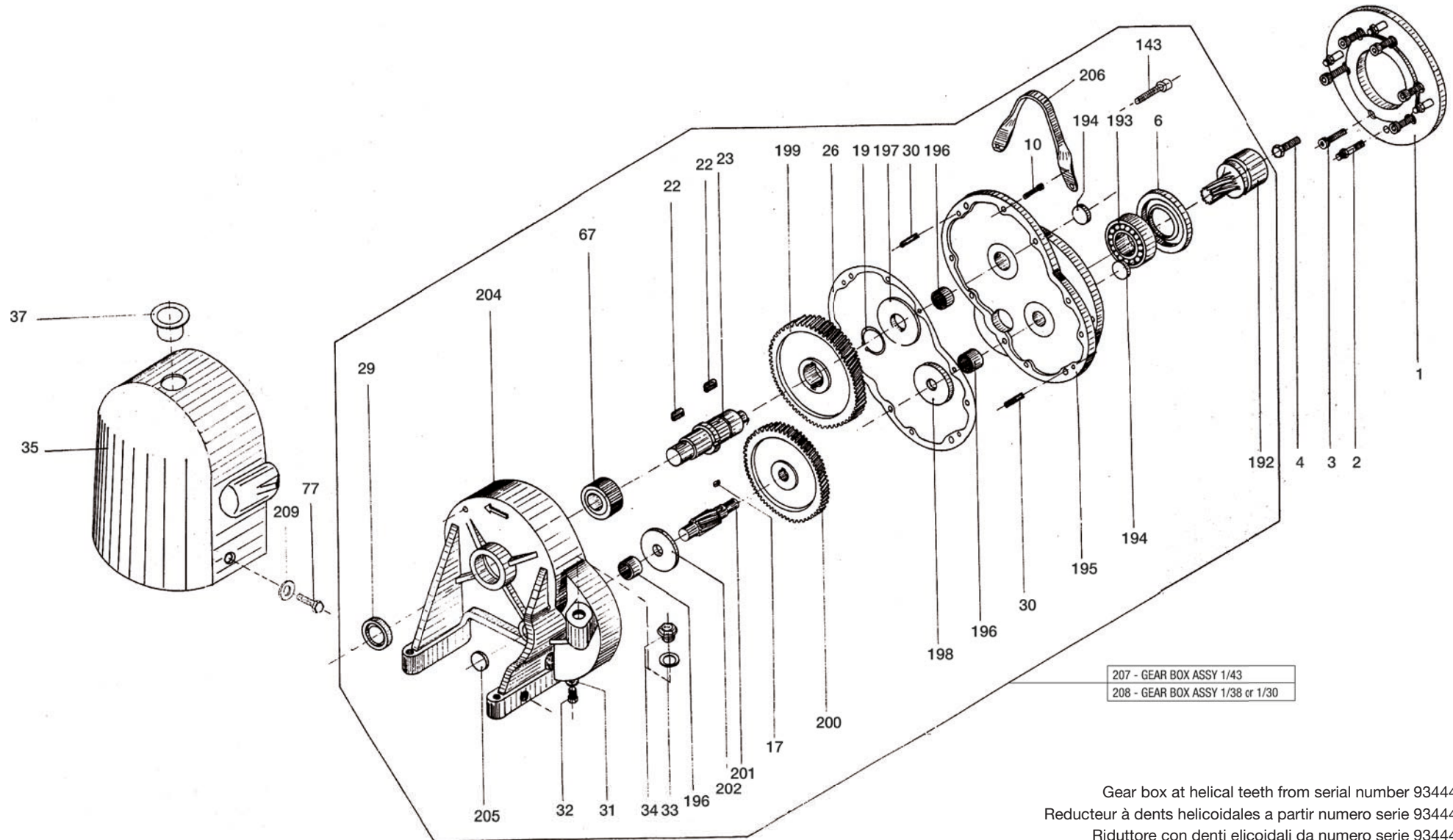
**SPARE PARTS LIST
LISTE PIECES DE RECHANGE
CATALOGO RICAMBI**

**SELF PRIMING DIAPHRAGM PUMP
POMPE AUTO-AMORÇANTE A MEMBRANE
POMPA AUTOADESCANTE A MEMBRANA**

LIBELLULA 1-3''



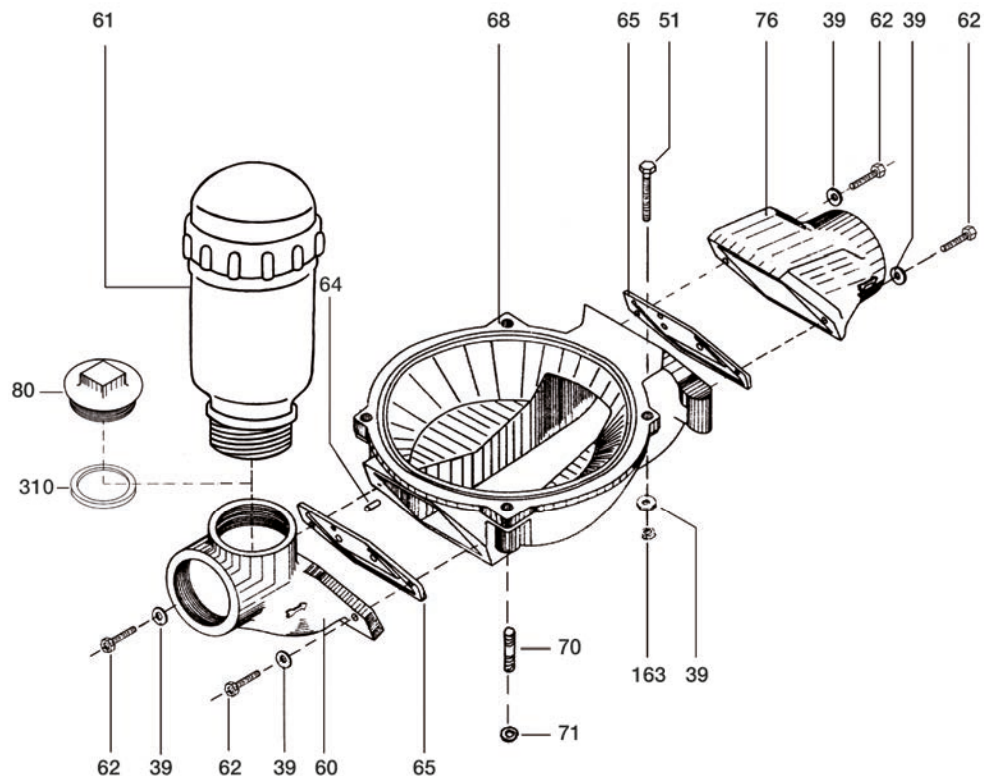
**INDUSTRIAL VERSION
VERSION INDUSTRIE
VERSIONE PER INDUSTRIA**



Gear box at helical teeth from serial number 93444
 Reducteur à dents hélicoïdales a partir numero serie 93444
 Riduttore con denti elicoidali da numero serie 93444

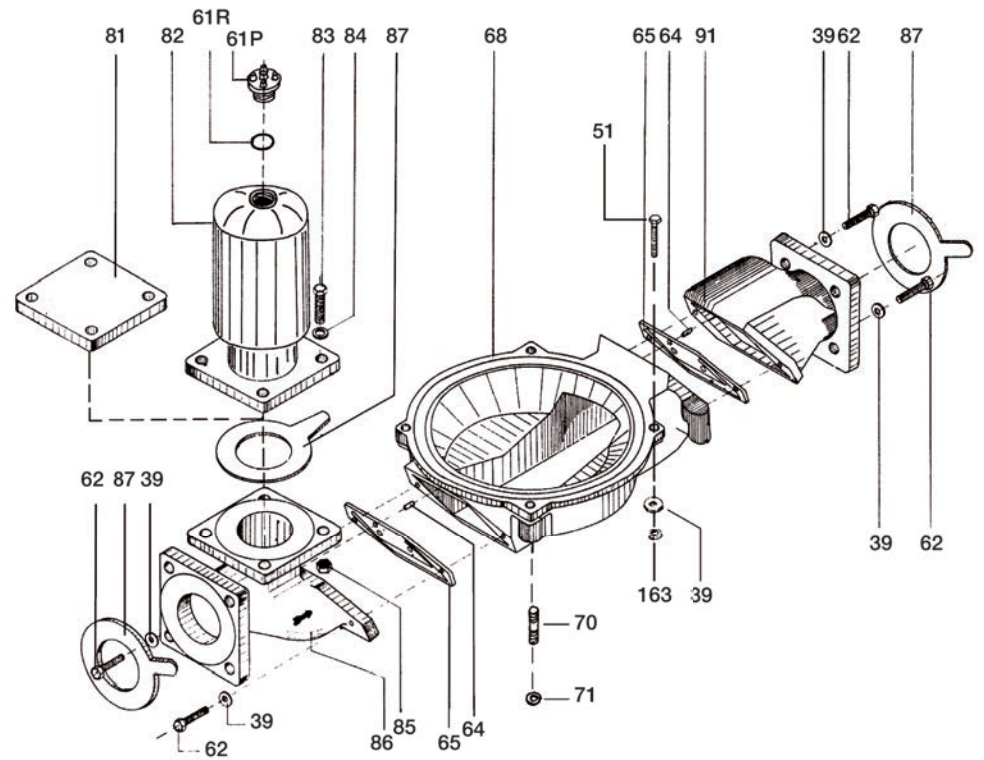
FIG 1

| FIG | ITEM | DENOMINAZIONE | DESCRIPTION | DESCRIPTION |
|-----|-------------|---|---|---|
| 001 | | FLANGIA ACCOPPIAMENTO MOTORE COMPLETA PER: | ADAPTER COUPLING ENGINE ASSY FOR: | BRIDE COMPLETE POUR MOTEUR: |
| 001 | 001 L1002 | BRIGGS & STRATTON PLUS 3,5 HP- ROBIN EY15-EY20 HONDA GX120/160 QX (ALBERO DIAM. MM 19,05) | BRIGGS & STRATTON PLUS 3,5 HP - ROBIN EY15-EY20 HONDA GX120/160 QX (SHAFT D.MM 19,05) | BRIGGS & STRATTON PLUS 3,5 HP - ROBIN EY15-EY20 HONDA GX120/160 QX (ARBRE D.MM 19,05) |
| 001 | 001L208 | MOTORE ELETTRICO FORMA 100 (ESECUZIONE SPECIALE) | ELECTRIC MOTOR SIZE100 (FOR SPECIAL EXECUTION) | MOTEUR ELECTRIQUE GRANDEUR 100 (POUR VERSIONS SPECIAUX) |
| 001 | 001L109 | MOTORE ELETTRICO NEMA C145 | ELECTRIC MOTOR NEMA C145 | MOTEUR ELECTRIQUE NEMA C145 |
| 002 | 002L0321 | PRIGIONIERO FISSAGGIO POMPA A FLANGIA | STUD FASTENING PUMP TO FLANGE | GOUJON |
| 003 | 003L0231 | VITE T.I. FISSAGGIO MOTORE A FLANGIA | CAPSCREW FASTENING ENGINE TO FLANGE | VIS |
| 004 | 004L0142 | BULLONE FISSAGGIO PIGNONE A MOTORE (SPECIFICARE TIPO PIGNONE) | BOLT FASTENING PINION TO ENGINE (TO SPECIFY) | BOULON (SPECIFIER) |
| 006 | 006L5061 | ANELLO DI TENUTA | OIL SEAL RING | JOINT |
| 010 | 010L02102 | VITE T.I. FISSAGGIO COPERCHIO AL CARTER | CAPSCREW T.I. FASTENING COVER TO CASING | VIS |
| 017 | 017L08171 | CHIAVETTA ALBERO 1° | KEY SHAFT 1° | CLAVETTE |
| 019 | 019L04191 | SEEGER ALBERO 2° | SEEGER RING SHAFT 2° | SEEGER ARBRE 2° |
| 022 | 022L08222 | CHIAVETTA ALBERO 2° | KEY SHAFT 2° | CLAVETTE |
| 023 | 023L412 | ALBERO 2° | SHAFT 2° | ARBRE 2° |
| 026 | 026L60261 | GUARNIZIONE RIDUTTORE | GASKET GEAR BOX | JOINT REDUCTEUR |
| 029 | 029L50292 | ANELLO DI TENUTA ALBERO 2° LATO CARTER | SEAL RING SHAFT 2° CASING SIDE | JOINT |
| 030 | 030L06301 | SPINA CENTRAGGIO RIDUTTORE | DOWEL PIN GEAR BOX | GOUPILLE |
| 031 | 031L05311 | RONDELLA PER TAPPO SCARICO OLIO | WASHER FOR OIL DRAIN PLUG | RONDELLE |
| 032 | 032L0101 | TAPPO SCARICO OLIO | OIL DRAIN PLUG | BOUCHON |
| 033 | 033L54 | RONDELLA PER TAPPO IMMERSIONE OLIO | WASHER FOR OIL FIELD PLUG | RONDELLE |
| 034 | 034L54 | TAPPO IMMERSIONE OLIO | OIL FIELD PLUG | BOUCHON |
| 035 | 035L71351 | PROTEZIONE BIELLA IN PLASTICA VERSIONE INDUSTRIALE | PLASTIC PROTECTION FOR CONNECTING ROD INDUSTRIAL VERSION | PROTECTION PLASTIQUE POUR BIELLE VERSION INDUSTRIELLE |
| 037 | 037L70376 | TAPPO PER PROTEZIONE IN PLASTICA | PLUG FOR PLASTIC PROTECTION | BOUCHON |
| 067 | 067L90676 | CUSCINETTO A SFERE PER ALBERO 2° | BEARING SHAFT 2° | ROULEMENT |
| 077 | 077L01779 | VITE FISSAGGIO PROTEZIONE | SCREW FASTENING PROTECTION | VIS |
| 143 | 143L114316 | BULLONE FISSAGGIO GANCIO DI SOLLEVAMENTO | BOLT FASTENING LIFTING HOOK | BOULON |
| 192 | 192L4011 | PIGNONE ELICOIDALE PER ACCOPPIAMENTO MOTORE ELETTRICO RATIO1:43 (ALBERO DIAM.24 MM) | HELICAL PINION FOR ELECTRIC MOTOR RATIO 1:43 (SHAFT DIAM.24 MM) | PIGNON HELICOIDALE POUR MOTEUR ÉLECTRIQUE RR 1:43 (ARBRE D. 24 MM.) |
| 192 | 192L4012 | PIGNONE ELICOIDALE PER ACCOPPIAMENTO MOTORE ELETTRICO RATIO1:38 (ALBERO DIAM.24 MM) | HELICAL PINION FOR ELECTRIC MOTOR RATIO 1:38 (SHAFT DIAM.24 MM) | PIGNON HELICOIDALE POUR MOTEUR ÉLECTRIQUE RR1:38 (ARBRE D.24 MM.) |
| 192 | 192L4013 | PIGNONE ELICOIDALE PER ACCOPPIAMENTO MOTORE ELETTRICO RATIO1:30 (ALBERO DIAM.24 MM) | HELICAL PINION FOR ELECTRIC MOTOR RATIO 1:30 (SHAFT DIAM.24 MM) | PIGNON HELICOIDALE POUR MOTEUR ÉLECTRIQUE RR 1:30 (ARBRE D. 24 MM.) |
| 192 | 192L4014 | PIGNONE ELICOIDALE PER ACCOPP. MOTORE SCOPPIO O DIESEL RATIO 1:43 (SOLO PER ALBERO DIAM.19,05 MM.) | HELICAL PINION FOR GASOLINE OR DIESEL ENGINE RATIO 1:43 (ONLY FOR SHAFT DIAM. 19,05 MM.) | PIGNON HELICOIDALE POUR MOTEUR ESSENCE OU DIESEL RR 1:43 (SEULEMENT POUR ARBRE D. 19,05 MM.) |
| 192 | 192L4020 | PIGNONE ELICOIDALE PER ACCOPPIAMENTO MOTORE ELETTRICO NEMA C RATIO 1:38 (ALBERO DIAM. 22,2 MM.) | HELICAL PINION FOR ELECTRIC MOTOR NEMA C RATIO 1:38 (SHAFT DIAM. 22,2 MM.) | PIGNON HELICOIDALE POUR MOTEUR ÉLECTRIQUE NEMA C RR 1:38 (ARBRE D. 22,2 MM.) |
| 192 | 192L4023 | PIGNONE ELICOIDALE PER ACCOPPIAMENTO MOTORE ELETTRICO RATIO 1:43 (ESECUZIONE SPECIALE SOLO PER MOTORE CON ALBERO DIAM.28 MM) | HELICAL PINION FOR ELECTRIC MOTOR RATIO 1:43 (SPECIAL EXECUTION ONLY FOR ELECTRIC MOTOR WITH SHAFT DIAM. 28 MM.) | PIGNON HELICOIDALE POUR MOTEUR ÉLECTRIQUE RR 1:43 (SEULEMENT POUR VERSIONS SPECIAUX AVEC MOTEUR ÉLECTRIQUE AVEC ARBRE D. 28 MM.) |
| 192 | 192L4024 | PIGNONE ELICOIDALE PER ACCOPPIAMENTO MOTORE ELETTRICO RATIO 1:38 (ESECUZIONE SPECIALE SOLO PER MOTORE CON ALBERO DIAM.28 MM) | HELICAL PINION FOR ELECTRIC MOTOR RATIO 1:38 (SPECIAL EXECUTION ONLY FOR EL. MOTOR WITH SHAFT DIAM. 28 MM.) | PIGNON HELICOIDALE POUR MOTEUR ÉLECTRIQUE RR 1:38 (SEULEMENT POUR VERSIONS SPECIAUX AVEC MOTEUR ÉLECTRIQUE AVEC ARBRE D. 28 MM.) |
| 192 | 192L4025 | PIGNONE ELICOIDALE PER ACCOPPIAMENTO MOTORE ELETTRICO RATIO 1:30 (ESECUZIONE SPECIALE SOLO PER MOTORE CON ALBERO DIAM.28 MM) | HELICAL PINION FOR ELECTRIC MOTOR RATIO 1:30 (SPECIAL EXECUTION ONLY FOR EL. MOTOR WITH SHAFT DIAM. 28 MM.) | PIGNON HELICOIDALE POUR MOTEUR ÉLECTRIQUE RR 1:30 (SEULEMENT POUR VERSIONS SPECIAUX AVEC MOTEUR ÉLECTRIQUE AVEC ARBRE D. 28 MM.) |
| 193 | 193L9019311 | CUSCINETTO SUPPORTO PIGNONE ELICOIDALE | BEARING FOR HELICAL PINION | ROULEMENT |
| 194 | 194L701948 | TAPPO PER COPERCHIO (VEDI 205L7020512) | PLUG FOR COVER (SEE 205L7020512) | BOUCHON (VOIR 205L7020512) |
| 195 | 195L327 | COPERCHIO RIDUTTORE IN GHISA | COVER GEAX BOX CAST IRON | COUVERCLE REDUCTEUR EN FONTE |
| 196 | 196L9019612 | GABBIA A RULLI | NEEDLE BUSHING | ROULEMENT |
| 197 | 197L7091 | RONDELLA ALBERO 2° LATO COPERCHIO (ex 197L709) | WASHER SHAFT 2° COVER SIDE (ex 197L709) | RONDELLE (ex 197L709) |
| 198 | 198L7011 | RONDELLA ALBERO 1° LATO COPERCHIO (ex 198L7010) | WASHER SHAFT 1° COVER SIDE (ex 198L7010) | RONDELLE (ex 198L7010) |
| 199 | 199L4013 | INGRANAGGIO ELICOIDALE ALBERO 2° | HELICAL DRIVEN SHAFT 2° | ENGRENAGE ARBRE 2° |
| 200 | 200L4014 | INGRANAGGIO ELICOIDALE ALBERO 1° R.R. 1:43 | HELICAL DRIVEN SHAFT 1° R.R. 1:43 | ENGRANAGE ARBRE 1° R.R. 1:43 |
| 200 | 200L4015 | INGRANAGGIO ELICOIDALE ALBERO 1° R.R. 1:38 | HELICAL DRIVEN SHAFT 1° R.R. 1:38 | ENGRANAGE ARBRE 1° R.R. 1:38 |
| 200 | 200L4016 | INGRANAGGIO ELICOIDALE ALBERO 1° R.R. 1:30 | HELICAL DRIVEN SHAFT 1° R.R. 1:30 | ENGRANAGE ARBRE 1° R.R. 1:30 |
| 201 | 201L415 | ALBERO 1° | SHAFT 1° | ARBRE 1° |
| 202 | 202L7012 | RONDELLA ALBERO 1° LATO CARTER (ex 202L7011) | WASHER SHAFT 1° CASING SIDE (ex 202L7011) | RONDELLE (ex 202L7011) |
| 204 | 204L128 | CARTER RIDUTTORE IN GHISA COMPRENDE TAPPO SFIATO 034L54 | CARTER GEAR BOX CAST IRON INCLUDES VENT PLUG 034L54 | CARTER REDUCTEUR EN FONTE INCLUS BOUCHON AVEC SOUPIRAIL 034L54 |
| 205 | 205L7020512 | TAPPO ALBERO 1° LATO CARTER | PLUG SHAFT 1° CASING SIDE | BOUCHON |
| 206 | 206L3020626 | GANCIO DI SOLLEVAMENTO | LIFTING HOOK | RONDELLE |
| 207 | 207L329 | RIDUTTORE COMPLETO GHISA DENTI ELICOIDALI RATIO 1/43 | CAST IRON GEAR BOX HELICALS TEETH ASSY RATIO 1/43 | REDUCTEUR COMPLETE A DENTS HELICOIDALES RR 1/43 FONTE |
| 208 | 208L330 | RIDUTTORE COMPLETO GHISA DENTI ELICOIDALI RATIO 1/38 | CAST IRON GEAR BOX HELICALS TEETH ASSY RATIO 1/38 | REDUCTEUR COMPLETE A DENTS HELICOIDALES RR 1/38 FONTE |
| 208 | 208L332 | RIDUTTORE COMPLETO GHISA DENTI ELICOIDALI RATIO 1/30 | CAST IRON GEAR BOX HELICALS TEETH ASSY RATIO 1/30 | REDUCTEUR COMPLETE A DENTS HELICOIDALES RR 1/30 FONTE |
| 209 | 209L520917 | RONDELLA PER BULLONE | WASHER FOR BOLT | CROCHET |



Pump case with threaded suction/delivery branches and air chamber
 Corps pompe avec orifices et chambre d'air fileté
 Corpo pompa, con bocche aspirazione e mandata, polmone filettati

FIG 2



Pump case with flanged branch DN80 PN10 and air chamber
 Corps pompe avec orifices a bride DN80 PN10 et chambre d'air
 Corpo pompa con bocche e polmone flangiati DN80 PN10

FIG 2F

FIG 2

| FIG | ITEM | DENOMINAZIONE | DESCRIPTION | DESCRIPTION |
|-----|------------|--|--|---|
| 039 | 039L05393 | RONDELLA | WASHER | RONDELLE |
| 051 | 051L01512 | BULLONE FISS. SUPPORTO A CORPO POMPA | BOLT CLAMPING MOUNTING TO PUMP CASE | BOULON |
| 060 | 060L170 | BOCCA ASPIRAZIONE FILETTATA 3" BSP ALLUMINIO | SUCTION BRANCH THREADED 3" BSP ALUMINIUM | ORIFICE D'ASPIRATION FILETE' 3" BSP ALUMINIUM |
| 060 | 060L18 | BOCCA ASPIRAZIONE FILETTATA 3" NPT ALLUMINIO | SUCTION BRANCH THREADED 3" NPT ALUMINIUM | ORIFICE D'ASPIRATION FILETE' 3" NPT ALUMINIUM |
| 060 | 060L26 | BOCCA ASPIRAZIONE FILETTATA 3" BSP ALLUMINIO ANTICORODAL | SUCTION BRANCH THREADED 3" BSP ALUMINIUM ANTICORODAL | ORIFICE D'ASPIRATION FILETE' 3" BSP ALUMINIUM ANTICORODAL |
| 060 | 060L36 | BOCCA ASPIRAZIONE FILETTATA 3" BSP GHISA | SUCTION BRANCH THREADED 3" BSP CAST IRON | ORIFICE D'ASPIRATION FILETE' 3" BSP FONTE |
| 060 | 060L42 | BOCCA ASPIRAZIONE FILETTATA 3" BSP BRONZO | SUCTION BRANCH THREADED 3" BSP BRONZE | ORIFICE D'ASPIRATION FILETE' 3" BSP BRONZE |
| 060 | 060L52 | BOCCA ASPIRAZIONE FILETTATA 3" BSP AISI 304 | SUCTION BRANCH THREADED 3" BSP S.S. AISI 304 | ORIFICE D'ASPIRATION FILETE' 3" BSP ACIER INOX AISI 304 |
| 060 | 060L62 | BOCCA ASPIRAZIONE FILETTATA 3" BSP AISI 316 | SUCTION BRANCH THREADED 3" BSP S.S. AISI 316 | RIFICE D'ASPIRATION FILETE' 3" BSP ACIER INOX AISI 316 |
| 061 | 061L50 | CASSA D'ARIA IN POLIPROPILENE 3" BSP CON TAPPO | POLYPROPYLENE AIR CHAMBER THREADED 3" BSP WITH INSPECTION | CHAMBRE A AIR EN POLYPROPYLENE AVEC INSPECTION |
| 061 | 061L53 | CASSA D'ARIA FILETTATA SENZA TAPPO AISI 304 | AIR CHAMBER THREADED S.S. AISI 304 WITHOUT PLUG | CHAMBRE A AIR ACIER INOX AISI 304 SANS BOUCHON |
| 061 | 061L63 | CASSA D'ARIA FILETTATA SENZA TAPPO AISI 316 | AIR CHAMBER THREADED S.S. AISI 316 WITHOUT PLUG | CHAMBRE A AIR ACIER INOX AISI 316 SANS BOUCHON |
| 062 | 062L01627 | BULLONE PER FISSAGGIO BOCCHIE A CORPO | BOLT FASTENING BRANCH TO PUMP CASE | BOULON |
| 064 | 064L06643 | SPINA FISSAGGIO BOCCHIE | DOWEL PIN FOR BRANCH | EPINE POUR ORIFICES |
| 065 | 065L202 | VALVOLA ASPIRAZIONE/MANDATA NEOPRENE | SUCTION/DELIVERY VALVES NEOPRENE | CLAPET NEOPRENE |
| 065 | 065L212 | VALVOLA ASPIRAZIONE/MANDATA NBR | SUCTION/DELIVERY VALVES NBR | CLAPET NBR |
| 065 | 065L222 | VALVOLA ASPIRAZIONE/MANDATA HYPALON | SUCTION/DELIVERY VALVES HYPALON | CLAPET HYPALON |
| 065 | 065L232 | VALVOLA ASPIRAZIONE/MANDATA DUTRAL | SUCTION/DELIVERY VALVES DUTRAL | CLAPET DUTRAL |
| 065 | 065L244 | VALVOLA ASPIRAZIONE/MANDATA GOMMA ATOSSICA COMPATIBILE NORMA FDA | SUCTION/DELIVERY VALVES ATOXICITY RUBBER COMPLIANT WITH FDA REGULATION | CLAPET ATOXIQUE CONFORME À LA REGLEMENTATION FDA |
| 065 | 065L243 | VALVOLA ASPIRAZIONE/MANDATA SILICONE ATOSSICA | SUCTION/DELIVERY VALVES SILICON | CLAPET SILICON |
| 065 | 065L252 | VALVOLA ASPIRAZIONE/MANDATA VITON | SUCTION/DELIVERY VALVES VITON | CLAPET VITON |
| 068 | 068L108 | CORPO POMPA IN ALLUMINIO | PUMP CASE ALUMINIUM | CORPS POMPE EN ALUMINIUM |
| 068 | 068L27 | CORPO POMPA IN ALLUMINIO ANTICORODAL | PUMP CASE ALUMINIUM ANTICORODAL | CORPS POMPE EN ALUMINIUM ANTICORODAL |
| 068 | 068L37 | CORPO POMPA IN GHISA | PUMP CASE CAST IRON | CORPS POMPE EN FONTE |
| 068 | 068L43 | CORPO POMPA IN BRONZO | PUMP CASE BRONZE | CORPS POMPE EN BRONZE |
| 068 | 068L54 | CORPO POMPA IN AISI 304 | PUMP CASE S.S. AISI 304 | CORPS POMPE EN ACIER INOX AISI 304 |
| 068 | 068L64 | CORPO POMPA IN AISI 316 | PUMP CASE S.S. AISI 316 | CORPS POMPE EN ACIER INOX AISI 316 |
| 070 | 070L01708 | PRIGIONIERO FISSAGGIO BASE A POMPA | STUD FASTENING PUMP CASE | GOUJON |
| 071 | 071L05719 | RONDELLA PER PRIGIONIERO VEDI 039L05393 | WASHER FOR STUD SEE 039L05393 | RONDELLE (VOIR 039L05393) |
| 076 | 076L190 | BOCCA MANDATA FILETTATA 3" BSP ALLUMINIO | DELIVERY BRANCH THREADED 3" BSP ALUMINIUM | ORIFICE REFOULEMENT FILETE' 3" BSP ALUMINIUM |
| 076 | 076L110 | BOCCA MANDATA FILETTATA 3" NPT ALLUMINIO | DELIVERY BRANCH THREADED 3" NPT ALUMINIUM | ORIFICE REFOULEMENT FILETE' 3" NPT ALUMINIUM |
| 076 | 076L28 | BOCCA MANDATA FILETTATA 3" BSP ALLUMINIO ANTICORODAL | DELIVERY BRANCH THREADED 3" BSP ALUMINIUM ANTICORODAL | ORIFICE REFOULEMENT FILETE' 3" BSP ALUMINIUM ANTICORODAL |
| 076 | 076L38 | BOCCA MANDATA FILETTATA 3" BSP GHISA | DELIVERY BRANCH THREADED 3" BSP CAST IRON | ORIFICE REFOULEMENT FILETE' 3" BSP FONTE |
| 076 | 076L44 | BOCCA MANDATA FILETTATA 3" BSP BRONZO | DELIVERY BRANCH THREADED 3" BSP BRONZE | ORIFICE REFOULEMENT FILETE' 3" BSP BRONZE |
| 076 | 076L55 | BOCCA MANDATA FILETTATA 3" BSP AISI 304 | DELIVERY BRANCH THREADED 3" BSP S.S. AISI 304 | ORIFICE REFOULEMENT FILETE' 3" BSP ACIER INOX AISI 304 |
| 076 | 076L65 | BOCCA MANDATA FILETTATA 3" BSP AISI 316 | DELIVERY BRANCH THREADED 3" BSP S.S. AISI 316 | ORIFICE REFOULEMENT FILETE' 3" BSP ACIER INOX AISI 316 |
| 080 | 080L39 | TAPPO ISPEZIONE FILETTATO 3" BSP GHISA | INSPECTION PLUG THREADED 3" BSP CAST IRON | BOUCHON INSPECTION FILETE' 3" BSP FONTE |
| 080 | 080L45 | TAPPO ISPEZIONE FILETTATO 3" BSP BRONZO | INSPECTION PLUG THREADED 3" BSP BRONZE | BOUCHON INSPECTION FILETE' 3" BSP BRONZE |
| 080 | 080L66 | TAPPO ISPEZIONE FILETTATO 3" BSP AISI 316 | INSPECTION PLUG THREADED 3" BSP S.S. AISI 316 | BOUCHON INSPECTION FILETE' 3" BSP ACIER INOX AISI 316 |
| 163 | 163L71637 | DADO | NUT | ECROU |
| 310 | 310L263104 | GUARNIZIONE IN NEOPRENE | NEOPRENE GASKET | JOINT NEOPRENE |

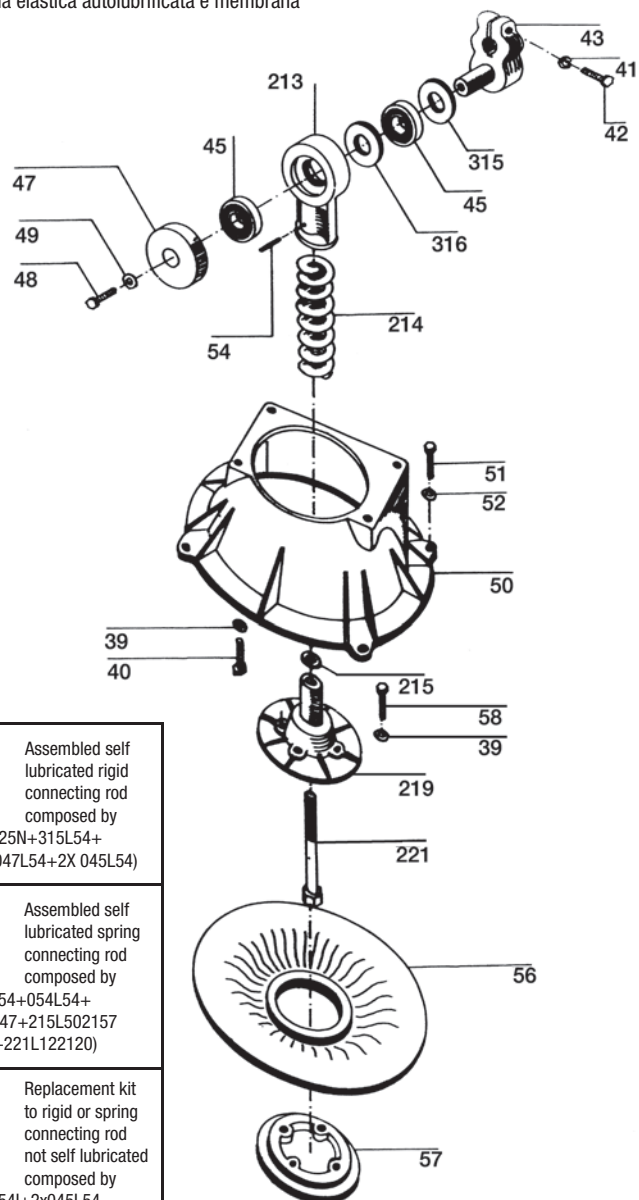
FIG 2F

| FIG | ITEM | DENOMINAZIONE | DESCRIPTION | DESCRIPTION |
|------|-----------|---------------------------------------|-------------------------------------|-------------------------------|
| 039 | 039L05393 | RONDELLA | WASHER | RONDELLE |
| 051 | 051L01512 | BULLONE FISS. SUPPORTO A CORPO POMPA | BOLT CLAMPING MOUNTING TO PUMP CASE | BOULON |
| 061R | 061L43 | O RING PER TAPPO IN BRONZO | O RING FOR BRONZE PLUG | O RING POUR BOUCHON EN BRONZE |
| 061P | 061L44 | TAPPO BRONZO 1" | 1" BRONZE PLUG | BOUCHON D. 1" EN BRONZE |
| 062 | 062L01627 | BULLONE PER FISSAGGIO BOCCHIE A CORPO | BOLT FASTENING BRANCH TO PUMP CASE | BOULON |
| 064 | 064L06643 | SPINA FISSAGGIO BOCCHIE | DOWEL PIN FOR BRANCH | EPINE POUR ORIFICES |
| 065 | 065L202 | VALVOLA ASPIRAZIONE/MANDATA NEOPRENE | SUCTION/DELIVERY VALVES NEOPRENE | CLAPET NEOPRENE |

| FIG | ITEM | DENOMINAZIONE | DESCRIPTION | DESCRIPTION |
|-----|------------|---|--|--|
| 065 | 065L212 | VALVOLA ASPIRAZIONE/MANDATA NBR | SUCTION/DELIVERY VALVES NBR | CLAPET NBR |
| 065 | 065L222 | VALVOLA ASPIRAZIONE/MANDATA HYPALON | SUCTION/DELIVERY VALVES HYPALON | CLAPET HYPALON |
| 065 | 065L232 | VALVOLA ASPIRAZIONE/MANDATA DUTRAL | SUCTION/DELIVERY VALVES DUTRAL | CLAPET DUTRAL |
| 065 | 065L244 | VALVOLA ASPIRAZIONE/MANDATA GOMMA ATOSSICA COMPATIBILE NORMA FDA | SUCTION/DELIVERY VALVES ATOXICITY RUBBER COMPLIANT WITH FDA REGULATION | CLAPET ATOXIQUE CONFORME À LA REGLEMENTATION FDA |
| 065 | 065L243 | VALVOLA ASPIRAZIONE/MANDATA SILICONE ATOSSICA | SUCTION/DELIVERY VALVES SILICON | CLAPET SILICON |
| 065 | 065L252 | VALVOLA ASPIRAZIONE/MANDATA VITON | SUCTION/DELIVERY VALVES VITON | CLAPET VITON |
| 068 | 068L108 | CORPO POMPA IN ALLUMINIO | PUMP CASE ALUMINIUM | CORPS POMPE EN ALUMINIUM |
| 068 | 068L27 | CORPO POMPA IN ALLUMINIO ANTICORODAL | PUMP CASE ALUMINIUM ANTICORODAL | CORPS POMPE EN ALUMINIM ANTICORODAL |
| 068 | 068L37 | CORPO POMPA IN GHISA | PUMP CASE CAST IRON | CORPS POMPE EN FONTE |
| 068 | 068L43 | CORPO POMPA IN BRONZO | PUMP CASE BRONZE | CORPS POMPE EN BRONZE |
| 068 | 068L54 | CORPO POMPA IN AISI 304 | PUMP CASE S.S. AISI 304 | CORPS POMPE EN ACIER INOX AISI 304 |
| 068 | 068L64 | CORPO POMPA IN AISI 316 | PUMP CASE S.S. AISI 316 | CORPS POMPE EN ACIER INOX AISI 316 |
| 068 | 068L72 | CORPO POMPA ALLUMINIO RIVESTITO IN RILSAN | PUMP CASE ALUMINIUM RILSAN COATED | CORPS POMPE PLASTIFIE' AVEC RILSAN |
| | | | | |
| 070 | 070L01708 | PRIGIONIERO FISSAGGIO BASE A POMPA | STUD FASTENING PUMP CASE | GOUJON |
| 071 | 071L05719 | RONDELLA PER PRIGIONIERO VEDI 039L05393 | WASHER FOR STUD SEE 039L05393 | RONDELLE (VOIR 039L05393) |
| 081 | 081L310 | TAPPO ISPEZIONE FLANGIATO IN FERRO | INSPECTION PLUG FLANGED IRON | BOUCHON INSPECTION A' BRIDE FER |
| 081 | 081L67 | TAPPO ISPEZIONE FLANGIATO AISI 316 | INSPECTION PLUG FLANGED S.S. AISI 316 | BOUCHON INSPECTION A' BRIDE ACIER INOX AISI 316 |
| 081 | 081L73 | TAPPO ISPEZIONE FLANGIATO RIVESTITO IN RILSAN | INSPECTION PLUG FLANGED RILSAN COATED | BOUCHON INSPECTION A' BRIDE PLASTIFIE' AVEC RILSAN |
| | | | | |
| 082 | 082L30824 | CASSA D'ARIA FLANGIATA NASTRO ACCIAIO CON GHIERA 1" | FLANGED STEEL STRIP AIR CHAMBER WITH 1" HOLE FOR PLUG | CHAMBRE A AIR A BRIDE AVEC MANCHON POUR BOUCHON D. 1" |
| 082 | 082L34 | CASSA D'ARIA FLANGIATA NASTRO ACCIAIO COMPLETA DI TAPPO | FLANGED STEEL STRIP AIR CHAMBER WITH BRONZE PLUG | CHAMBRE A AIR A BRIDE AVEC BOUCHON EN BRONZE |
| 082 | 082L68 | CASSA D'ARIA FLANGIATA SENZA TAPPO AISI 316 | FLANGED S.S. AISI 316 AIR CHAMBER WITHOUT PLUG | CHAMBRE A AIR A BRIDE ACIER INOX AISI 316 SANS BOUCHON |
| 082 | 082L74 | CASSA D'ARIA FLANGIATA SENZA TAPPO RIVESTITA IN RILSAN | FLANGED RILSAN COATED AIR CHAMBER WITHOUT PLUG | CHAMBRE A AIR A BRIDE PLASTIFIE' AVEC RILSAN SANS BOUCHON |
| | | | | |
| 083 | 083L018310 | BULLONE PER FISSAGGIO CASSA ARIA | BOLT FASTENING AIR CHAMBER | BOULON POUR CHAMBRE A AIR |
| 084 | 084L05849 | RONDELLA | WASHER | RONDELLE |
| 085 | 085L07851 | DADO | NUT | ECROU |
| 086 | 086L111 | BOCCA ASPIRAZIONE FLANGIATA DN80 PN10 ALLUMINIO | SUCTION BRANCH FLANGED DN80 PN10 ALUMINIUM | ORIFICE D'ASPIRATION A' BRIDE DN80 PN10 ALUMINIUM |
| 086 | 086L210 | BOCCA ASPIRAZIONE FLANGIATA DN80 PN10 ALLUMINIO ANTICORODAL | SUCTION BRANCH FLANGED DN80 PN10 ALUMINIUM ANTICORODAL | ORIFICE D'ASPIRATION A' BRIDE DN80 PN10 ALUMINIUM ANTICORODAL |
| 086 | 086L311 | BOCCA ASPIRAZIONE FLANGIATA DN80 PN10 GHISA | SUCTION BRANCH FLANGED DN80 PN10 CAST IRON | ORIFICE D'ASPIRATION A' BRIDE DN80 PN10 FONTE |
| 086 | 086L59 | BOCCA ASPIRAZIONE FLANGIATA DN80 PN10 AISI 304 | SUCTION BRANCH FLANGED DN80 PN10 S.S. AISI 304 | ORIFICE D'ASPIRATION A' BRIDE DN80 PN10 ACIER INOX AISI 304 |
| 086 | 086L609 | BOCCA ASPIRAZIONE FLANGIATA DN80 PN10 AISI 316 | SUCTION BRANCH FLANGED DN80 PN10 S.S. AISI 316 | ORIFICE D'ASPIRATION A' BRIDE DN80 PN10 ACIER INOX AISI 316 |
| 086 | 086L75 | BOCCA ASPIRAZIONE FLANGIATA DN80 PN10 ALLUMINIO RIVESTITA IN RILSAN | SUCTION BRANCH FLANGED DN80 PN10 ALUMINIUM RILSAN COATED | ORIFICE D'ASPIRATION A' BRIDE DN80 PN10 ALUMINIUM PLASTIFIE' AVEC RILSAN |
| | | | | |
| 087 | 087L20873 | GUARNIZIONE PIANA DN 80 NEOPRENE | NEOPRENE PLATE GASKET DN 80 | JOINT DN 80 NEOPRENE |
| 087 | 087L21873 | GUARNIZIONE PIANA DN 80 NBR | NBR PLATE GASKET DN80 | JOINT DN 80 NBR |
| 087 | 087L22873 | GUARNIZIONE PIANA DN 80 HYPALON | HYPALON PLATE GASKET DN 80 | JOINT DN 80 HYPALON |
| 087 | 087L23873 | GUARNIZIONE PIANA DN 80 DUTRAL | DUTRAL PLATE GASKET DN 80 | JOINT DN 80 DUTRAL |
| 087 | 087L24873 | GUARNIZIONE PIANA DN 80 GOMMA ATOSSICA | ATOXICITY RUBBER PLATE GASKET DN 80 | JOINT DN 80 ATOXIQUE |
| 087 | 087L25873 | GUARNIZIONE PIANA DN 80 VITON | VITON PLATE GASKET DN80 | JOINT DN 80 VITON |
| 091 | 091L112 | BOCCA MANDATA FLANGIATA DN80 PN10 ALLUMINIO | DELIVERY BRANCH FLANGED DN80 PN10 ALUMINIUM | ORIFICE REFOULEMENT A' BRIDE DN80 PN10 ALUMINIUM |
| 091 | 091L211 | BOCCA MANDATA FLANGIATA DN80 PN10 ALLUMINIO ANTICORODAL | DELIVERY BRANCH FLANGED DN80 PN10 ALUMINIUM ANTICORODAL | ORIFICE REFOULEMENT A' BRIDE DN80 PN10 ALUMINIUM ANTICORODAL |
| 091 | 091L312 | BOCCA MANDATA FLANGIATA DN80 PN10 GHISA | DELIVERY BRANCH FLANGED DN80 PN10 CAST IRON | ORIFICE REFOULEMENT A' BRIDE DN80 PN10 FONTE |
| 091 | 091L510 | BOCCA MANDATA FLANGIATA DN80 PN10 AISI 304 | DELIVERY BRANCH FLANGED DN80 PN10 S.S. AISI 304 | ORIFICE REFOULEMENT A' BRIDE DN80 PN10 ACIER INOX AISI 304 |
| 091 | 091L610 | BOCCA MANDATA FLANGIATA DN80 PN10 AISI 316 | DELIVERY BRANCH FLANGED DN80 PN10 S.S. AISI 316 | ORIFICE REFOULEMENT A' BRIDE DN80 PN10 ACIER INOX AISI 316 |
| 091 | 091L76 | BOCCA MANDATA FLANGIATA DN80 PN10 ALLUMINIO RIVESTITA IN RILSAN | DELIVERY BRANCH FLANGED DN80 PN10 ALUMINIUM RILSAN COATED | ORIFICE REFOULEMENT A' BRIDE DN80 PN10 ALUMINIUM PLASTIFIE' AVEC RILSAN |
| | | | | |
| 163 | 163L71637 | DADO | NUT | ECROU |

FIG 3

Self lubricated connecting rod and diaphragm
 Bielle elastique auto-lubrifiè et membrane
 Biella elastica autolubrificata e membrana

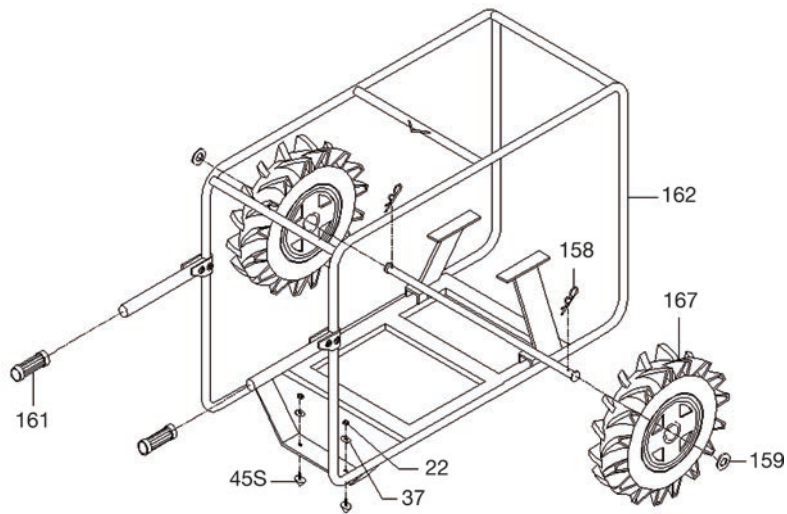


053L540 Assembled self lubricated rigid connecting rod composed by (P.N. 053L25N+315L54+316L54+047L54+2X 045L54)

218L54I Assembled self lubricated spring connecting rod composed by (P.N. 213L54+054L54+214L332147+215L502157+219L54+221L122120)

218L540I Replacement kit to rigid or spring connecting rod not self lubricated composed by (P.N. 218L54I+2x045L54+315L54+316L54+047L54+049L05495+048L01484)

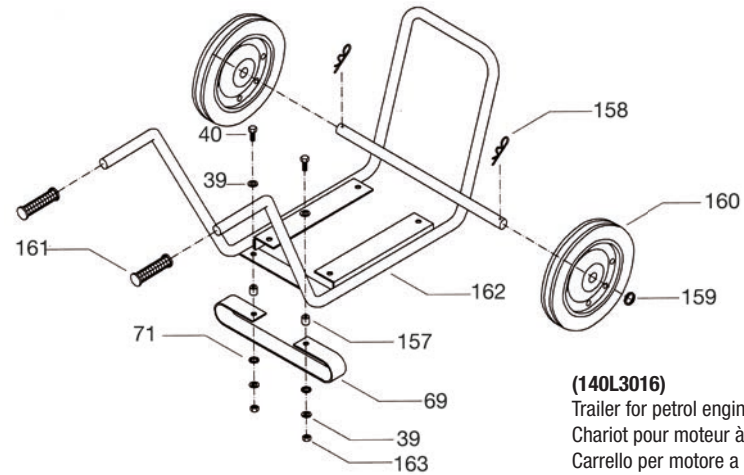
| FIG. | ITEM | DESCRIZIONE | DESCRIPTION | DESCRIPTION |
|------|------------|---|---|---|
| 039 | 039L05393 | RONDELLA | WASHER | RONDELLE |
| 040 | 040L01402 | BULLONE | BOLT | BOULON |
| 041 | 041L05414 | RONDELLA | WASHER | RONDELLE |
| 042 | 042L01423 | BULLONE T.E. SERRAGGIO MANOVELLA | BOLT CLAMPING CRANK | BOULON |
| 043 | 043L321 | MANOVELLA | CRANK | MANIVELLE |
| 045 | 045L54 | CUSCINETTO BIELLA PER VERSIONE AUTOLUBRIFICATA | CONNECTING ROD BEARING FOR SELF LUBRICATED VERSION | ROULEMENT POUR BIELLE ELASTIQUE VERSION AUTOLUBRIFIE' |
| 047 | 047L54 | COPERCHIO BIELLA PER VERSIONE AUTOLUBRIFICATA | CONNECTING ROD COVER FOR SELF LUBRICATED VERSION | COUVERCLE POUR BIELLE ELASTIQUE VERSION AUTOLUBRIFIE' |
| 048 | 048L01484 | BULLONE T.E. FISSAGGIO COPERCHIO BIELLA | BOLT CLAMPING COVER | BOULON |
| 049 | 049L05495 | RONDELLA PER BULLONE | WASHER FOR BOLT | RONDELLE |
| 050 | 050L33 | SUPPORTO RIDUTTORE GHISA | MOUNTING CASE CAST IRON | SUPPORT REDUCTEUR FONTE |
| 051 | 051L01512 | BULLONE FISS. SUPPORTO A CORPO POMPA | BOLT CLAMPING MOUNTING TO PUMP CASE | BOULON |
| 052 | 052L05526 | RONDELLA PER BULLONE (VEDI 039L05393) | WASHER FOR BOLT (SEE 039L05393) | RONDELLE (VOIR 039L05393) |
| 053 | 053L540 | KIT BIELLA RIGIDA AUTOLUBRIFICATA | KIT RIGID CONNECTING ROD SELF LUBRICATED | KIT BIELLE RIGIDE AUTOLUBRIFIE' |
| 054 | 054L54 | SPINA PER FISSAGGIO TESTA BIELLA AUTOLUBRIFICATA | PIN FIXING BIG END CONNECTING ROD SELF LUBRICATED VERSION | GOUPILLE |
| 056 | 056L20561 | MEMBRANA IN NEOPRENE | NEOPRENE DIAPHRAGM | MEMBRANE NEOPRENE |
| 056 | 056L21561 | MEMBRANA IN NBR | NBR DIAPHRAGM | MEMBRANE NBR |
| 056 | 056L22561 | MEMBRANA IN HYPALON | HYPALON DIAPHRAGM | MEMBRANE HYPALON |
| 056 | 056L23561 | MEMBRANA IN DUTRAL | DUTRAL DIAPHRAGM | MEMBRANE DUTRAL |
| 056 | 056L25561 | MEMBRANA IN VITON | VITON DIAPHRAGM | MEMBRANE VITON |
| 056 | 056L34 | MEMBRANA IN GOMMA ATOSSICA COMPATIBILE NORMA FDA | ATOXICITY RUBBER DIAPHRAGM COMPLIANT WITH FDA REGULATION | MEMBRANE ATOXIQUE CONFORME A LA REGLEMENTATION FDA |
| 057 | 220L122026 | PIATTELLO BLOCCAGGIO MEMBRANA ALLUMINIO | DIAPHRAGM LOCKING FLANGE ALUMINIUM | PLATEAU ALUMINIUM |
| 057 | 057L25 | PIATTELLO BLOCCAGGIO MEMBRANA ANTICORODAL | DIAPHRAGM LOCKING FLANGE ALUMINIUM ANTICORODAL | PLATEAU ALUMINIUM ANTICORODAL |
| 057 | 057L35 | PIATTELLO BLOCCAGGIO MEMBRANA GHISA | DIAPHRAGM LOCKING FLANGE CAST IRON | PLATEAU FONTE |
| 057 | 057L41 | PIATTELLO BLOCCAGGIO MEMBRANA BRONZO | DIAPHRAGM LOCKING FLANGE BRONZE | PLATEAU BRONZE |
| 057 | 057L51 | PIATTELLO BLOCCAGGIO MEMBRANA AISI 304 | DIAPHRAGM LOCKING FLANGE S.S. AISI 304 | PLATEAU ACIER INOX AISI 304 |
| 057 | 057L61 | PIATTELLO BLOCCAGGIO MEMBRANA AISI 316 | DIAPHRAGM LOCKING FLANGE S.S. AISI 316 | PLATEAU ACIER INOX AISI 316 |
| 057 | 057L71 | PIATTELLO BLOCCAGGIO MEMBRANA ALLUMINIO RIVESTITO IN RILSAN | DIAPHRAGM LOCKING FLANGE ALUMINIUM RILSAN COATED | PLATEAU ALUMINIUM PLASTIFIE' AVEC RILSAN |
| 058 | 058L01586 | BULLONE FISSAGGIO MEMBRANA | BOLT FASTENING DIAPHRAGM | BOULON POUR FIXAGE MEMBRANE |
| 213 | 213L54 | TESTA BIELLA AUTOLUBRIFICATA ALLUMINIO | BIG END OF THE SELF LUBRICATED CONNECTING ROD ALUMINIUM | TETE BIELLE ELASTIQUE VERSION AUTOLUBRIFIE' ALUMINIUM |
| 214 | 214L332147 | MOLLA PER BIELLA | SPRING FOR CONNECTING ROD | RESSORT POUR BIELLE |
| 215 | 215L502157 | ANELLO IN GOMMA | INTERNAL RING | JOINT |
| 218 | 218L54I | BIELLA ELASTICA AUTOLUBRIFICATA VERSIONE INDUSTRIALE | CONNECTING ROD WITH SPRING ASSY SELF LUBRICATED INDUSTRIAL VERSION | BIELLE ELASTIQUE AUTOLUBRIFIE' VERSION INDUSTRIE |
| 218 | 218L540I | KIT SOSTITUZIONE BIELLA RIGIDA O ELASTICA VECCHIO MODELLO | REPLACEMENT KIT TO RIGID CONNECTING ROD OR OLD TYPE SPRING CONNECTING ROD | KIT DE REMPLACEMENT AU BIELLE RIGIDE OU BIELLE ELASTIQUE ANCIEN MODEL |
| 219 | 219L54 | PIEDE BIELLA ALLUMINIO | SMALL END OF CONNECTING ROD ALUMINIUM | PIED BIELLE |
| 221 | 221L122120 | BULLONE STESO BIELLA | BOLT CONNECTING ROD STEM | BOULON |
| 315 | 315L54 | DISTANZIALE | SPACER | DISTANTIEL |
| 316 | 316L54 | DISTANZIALE | SPACER | DISTANTIEL |



(141L3018WL - 141L3018WH)

Trailer wraparound for diesel engine with pneumatic wheels
 Cadre chariot pour moteur diesel avec roues pneumatiques
 Carrello protettivo per motore diesel con ruote pneumatiche

FIG 4



(140L3016)

Trailer for petrol engine or electric motor (rubberized wheels)
 Chariot pour moteur à essence ou électrique (roues caoutchoutées)
 Carrello per motore a scoppio o elettrico (ruote gommate piene)

(140L3018WE)

Trailer wraparound for petrol engine or electric motor with pneumatic wheels
 Cadre chariot pour moteur à essence ou électrique avec roues pneumatiques
 Carrello protettivo per motore a scoppio o elettrico con ruote pneumatiche

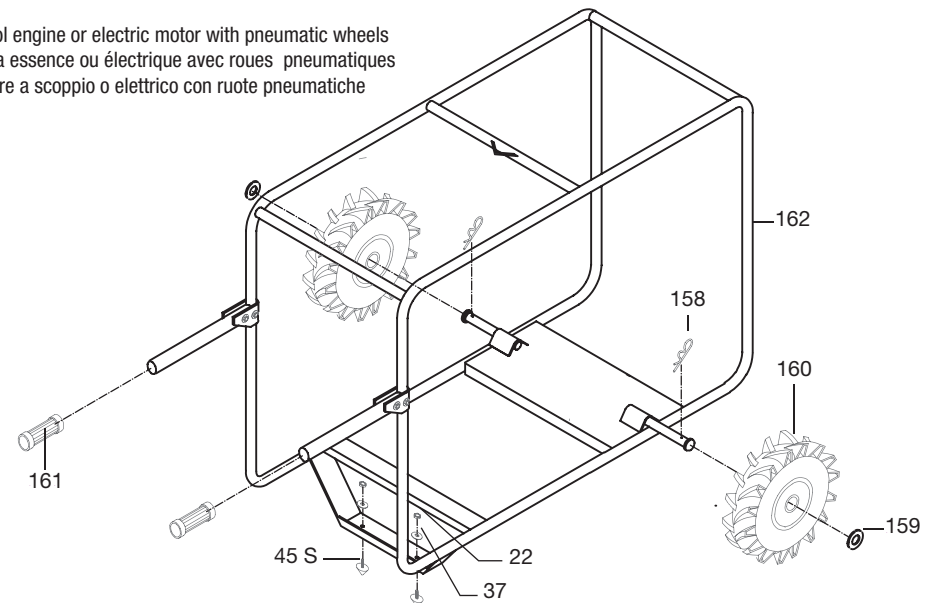


FIG 5

FIG 4

| FIG. | ITEM | DESCRIZIONE | DESCRIPTION | DESCRIPTION |
|------|-------------|--|---|---|
| 141 | 141L3018WH | CARRELLO PROTETTIVO PER MOTORE DIESEL HATZ 1B20 CON RUOTE PNEUMATICHE | TRAILER WRAPAROUND FOR DIESEL ENGINE HATZ 1B20 WITH PNEUMATIC WHEELS | CADRE CHARIOT POUR MOTEUR DIESEL HATZ 1B20 AVEC ROUÉS PNEUMATIQUES |
| 141 | 141L3018WL | CARRELLO PROTETTIVO PER MOTORE DIESEL LOMBARDINI 15LD225 CON RUOTE PNEUMATICHE | TRAILER WRAPAROUND FOR DIESEL ENGINE LOMBARDINI 15LD225 WITH PNEUMATIC WHEELS | CADRE CHARIOT POUR MOTEUR DIESEL LOMBARDINI 15LD225 AVEC ROUÉS PNEUMATIQUES |
| 22 | TL022/0 | DADO | NUT | ECROU |
| 37 | TL037/0 | RONDELLA | WASHER | RONDELLE |
| 45S | TL045/S | ANTIVIBRANTE | SHOCK ABSORBER | SILENT BLOCK |
| 158 | 158L61585 | SPINA | PIN | GOUPILLE |
| 159 | 159L3015917 | RONDELLA PER RUOTA | WASHER FOR WHEEL | RONDELLE POUR ROUE |
| 161 | 161L281611 | MANOPOLA | HAND GRIP | POIGNÉE |
| 162 | 162L3026 | TELAIO CARRELLO PROTETTIVO PER HATZ 1B20 | TRAILER WRAPAROUND SUB BASE FOR HATZ 1B20 | CHÂSSIS POUR CADRE CHARIOT POUR HATZ 1B20 |
| 162 | 162L3027 | TELAIO CARRELLO PROTETTIVO PER LOMBARDINI 15LD225 | TRAILER WRAPAROUND SUB BASE FOR LOMBARDINI 15LD225 | CHÂSSIS POUR CADRE CHARIOT POUR LOMBARDINI 15LD225 |
| 167 | 167L271674 | RUOTA PNEUMATICA PER CARRELLO PROTETTIVO | PNEUMATIC WHEEL FOR TRAILER WRAPAROUND | ROUÉ PNEUMATIQUE POUR CADRE CHARIOT |

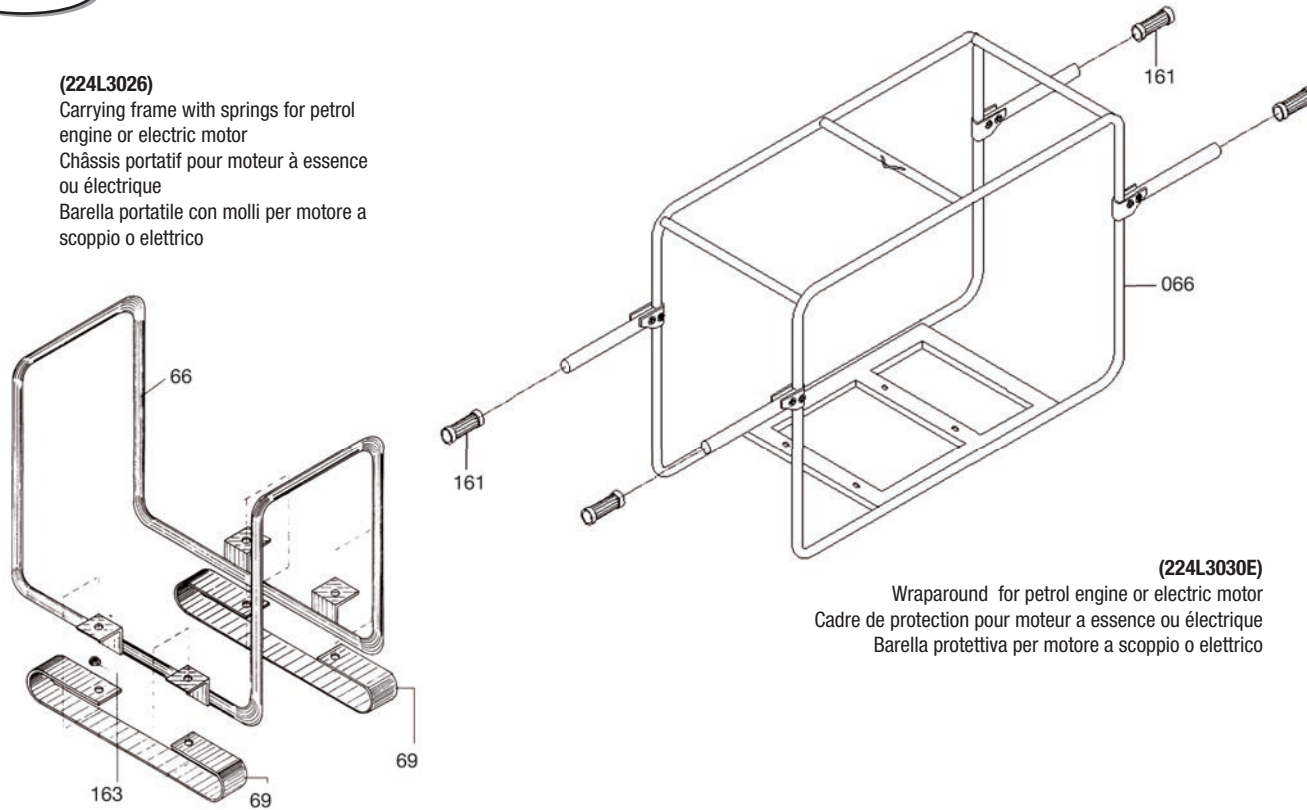
FIG 5

| FIG. | ITEM | DESCRIZIONE | DESCRIPTION | DESCRIPTION |
|------|-------------|---|--|--|
| 140 | 140L3016 | CARRELLO A STEGOLE COMPLETO PER MOTORE ELETTRICO O A SCOPIO CON RUOTE GOMMATE PIENE | TRAILER ASSY WITH HANDLES FOR PETROL ENGINE OR ELECTRIC MOTOR WITH RUBBERIZED WHEELS | CHARIOT AVEC POIGNÉES POUR MOTEUR À ESSENCE OU ÉLECTRIQUE AVEC ROUÉS CAOUTCHOUTÉES |
| 140 | 140L3018WE | CARRELLO PROTETTIVO PER MOTORE A SCOPIO O ELETTRICO CON RUOTE PNEUMATICHE 4.00 4 | TRAILER WRAPAROUND FOR PETROL ENGINE OR ELECTRIC MOTOR WITH PNEUMATIC WHEELS 4.00 4 | CADRE CHARIOT POUR MOTEUR A ESSENCE OU ÉLECTRIQUE AVEC ROUÉS PNEUMATIQUES 4.00 4 |
| 22 | TL022/0 | DADO | NUT | ECROU |
| 37 | TL037/0 | RONDELLA | WASHER | RONDELLE |
| 39 | 039L05393 | RONDELLA | WASHER | RONDELLE |
| 40 | 040L01402 | BULLONE | BOLT | BOULON |
| 45S | TL045/S | SUPPORTO ANTIVIBRANTE | SHOCK ABSORBER | SILENT BLOCK |
| 69 | 069L30694 | MOLLA ELASTICA | LAMINATED SPRING | RESSORT POUR CHARIOT |
| 71 | 071L05719 | RONDELLA | WASHER | RONDELLE |
| 157 | 157L301578 | DISTANZIALE | SPACER | DISTANTIEL |
| 158 | 158L61585 | SPINA | PIN | GOUPILLE |
| 159 | 159L3015917 | RONDELLA PER RUOTA | WASHER FOR WHEEL | RONDELLE POUR ROUE |
| 160 | 160L271601 | RUOTA PIENA | RUBBERIZED WHEEL | ROUÉ CAOUTCHOUTÉE |
| 160 | 160L271604 | RUOTA PNEUMATICA | PNEUMATIC WHEEL | ROUÉ PNEUMATIQUE |
| 161 | 161L281611 | MANOPOLA | HAND GRIP | POIGNÉE |
| 162 | 162L30205 | TELAIO CARRELLO CON GUIDA A STEGOLE PER RUOTE GOMMATE PIENE | TRAILER SUB BASE DRIVEN BY TWO HANDLES FOR RUBBERIZED WHEELS | CHÂSSIS POUR CHARIOT ROUÉS CAOUTCHOUTÉES |
| 162 | 162L3025/B | TELAIO CARRELLO PROTETTIVO CON RUOTE PNEUMATICHE 4.00 4 | TRAILER WRAPAROUND SUB BASE WITH PNEUMATIC WHEELS 4.00 4 | CHÂSSIS POUR CADRE CHARIOT AVEC ROUÉS PNEUMATIQUES 4.00 4 |
| 163 | 163L71637 | DADO | NUT | ECROU |

FIG 6

(224L3026)

Carrying frame with springs for petrol engine or electric motor
 Châssis portatif pour moteur à essence ou électrique
 Barella portatile con molli per motore a scoppio o elettrico

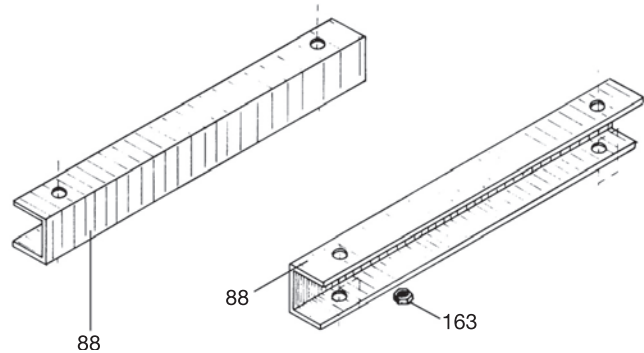
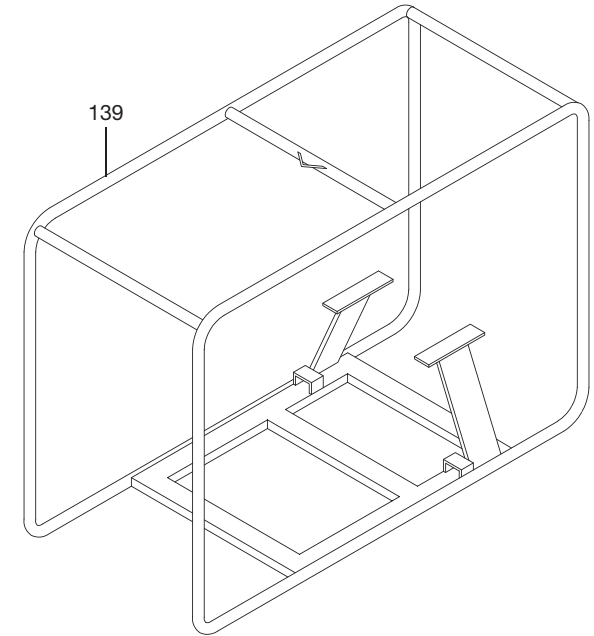


(224L3030E)

Wraparound for petrol engine or electric motor
 Cadre de protection pour moteur a essence ou électrique
 Barella protettiva per motore a scoppio o elettrico

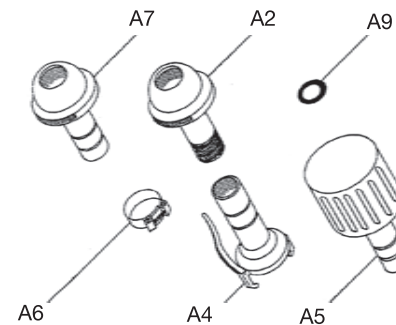
FIG 7

Stationary frame for diesel engine
 Châssis fixe pour moteur diesel
 Base per motore diesel



Stationary frame for electric motor or petrol engine
 Châssis fixe pour moteur à essence ou électrique
 Base per motore elettrico o scoppio

FIG 8



Accessories
 Accessori
 Accessori

FIG 9

FIG 6

| FIG. | ITEM | DESCRIZIONE | DESCRIPTION | DESCRIPTION |
|------|------------|---|---|---|
| 224 | 224L3026 | BARELLA PORTATILE COMPLETA PER MOTORE ELETTRICO O A SCOPPIO | CARRYING FRAME ASSY WITH FOR PETROL OR ELECTRIC MOTOR | CHÂSSIS PORTATIF POUR MOTEUR A ESSENCE OU ÉLECTRIQUE |
| 224 | 224L3030E | BARELLA PROTETTIVA PER MOTORE A SCOPPIO O ELETTRICO | WRAPAROUND FOR PETROL ENGINE OR ELECTRIC MOTOR | CADRE DE PROTECTION POUR MOTEUR A ESSENCE OU ÉLECTRIQUE |
| 066 | 066L30663 | CAVALLETTO | CHASSIS | CHÂSSIS |
| 066 | 066L40 | CAVALLETTO BARELLA PROTETTIVA | CHASSIS WRAPAROUND | CHÂSSIS DE PROTECTION |
| 069 | 069L30694 | MOLLA ELASTICA | LAMINATED SPRING | RESSORT POUR CHÂSSIS |
| 161 | 161L281611 | MANOPOLA | HAND GRIP | POIGNÉE |
| 163 | 163L71637 | DADO FISSAGGIO | NUT | ECROU |

FIG 7

| FIG. | ITEM | DESCRIZIONE | DESCRIPTION | DESCRIPTION |
|------|------------|---|---|--|
| 139 | 139L3018WH | BASE PER MOTORE DIESEL HATZ 1B20 | STATIONARY FRAME FOR DIESEL ENGINE HATZ 1B20 | CHÂSSIS FIXE POUR MOTEUR DIESEL HATZ 1B20 |
| 139 | 139L3018WL | BASE PER MOTORE DIESEL LOMBARDINI 15LD225 | STATIONARY FRAME FOR DIESEL ENGINE LOMBARDINI 15LD225 | CHÂSSIS FIXE POUR MOTEUR DIESEL LOMBARDINI 15LD225 |

FIG 8

| FIG. | ITEM | DESCRIZIONE | DESCRIPTION | DESCRIPTION |
|------|-----------|--|---|--|
| 088 | 088L307 | BASE COMPLETA PER MOTORE ELETTRICO O A SCOPPIO | STATIONARY FRAME ASSY FOR PETROL ENGINE OR ELECTRIC MOTOR | CHÂSSIS FIXE POUR MOLEUR À ESSENCE OU ELECTRIQUE |
| 088 | 088L54 | BASE COMPLETA A U IN AISI 304 | STATIONARY FRAME ASSY U AISI 304 | CHÂSSIS FIXE COMPLETE U EN AISI 304 |
| 163 | 163L71637 | DADO FISSAGGIO | NUT | ECROU |

FIG 9

| FIG. | ITEM | DESCRIZIONE | DESCRIPTION | DESCRIPTION |
|------|-----------|--|---|--|
| | B2A03MT6 | TUBO ASPIRAZIONE E MANDATA IN GOMMA SPIRALATA DIAM.80MM. LUNGHEZZA MT.6 | SUCTION OR DELIVERY REINFORCED RUBBER HOSE DIAM.80MM. LENGHT MT.6 | TUYAU ARME' DE CAOUTCHOU D.80MM LONGEUR MT.6 |
| A2 | B2N07 | RACCORDO MASCHIO FILETTATO 3"X80MM. | THREADED MALE COUPLING 3" X 80MM | RACCORD MALE FILETÉ 3" X 80MM. |
| A4 | B2R02 | RACCORDO FEMMINA PORTAGOMMA DIAM. 80MM. | FEMALE WITH SPIGOT DIAM. 80MM. | RACCORD FEMELLE PORTE TUYAU D. 80MM. |
| A5 | B2E02 | FILTRO PESCANTE ZINCATO DIAM. 80MM. | GALVANIZED STRAINER DIAM.80MM. | CREPINE D.80MM. |
| A6 | B2GARD.11 | FASCETTA A BULLONE DIAM. 80MM. | CLAMP DIAM. 80MM. | COLLIER DE SERRAGE D.80MM. |
| A7 | B2R09 | RACCORDO MASCHIO PORTAGOMMA DIAM. 80MM. | MALE WITH SPIGOT DIAM. 80MM. | RACCORD MALE PORTE TUYAU D.80MM. |
| A9 | B2M03 | GUARNIZIONE SFERICA DIAM.80MM. | O RING GASKET DIAM.80MM. | JOINT D.80MM. |

Caffini pumps

NOTES



Caffini Cipriano srl

43044 (Cavalli) LEMIGNANO DI COLLECCHIO (Parma) - Italia
Via G. di Vittorio, 46 - Tel. +39.0521.804325 - Fax +39.0521.804145
www.caffinipumps.it - E-mail: info@caffinipumps.it
Partita IVA / VAT ID Nr. IT 02002550347